

Technical Specification/ Product Datasheet



KK-FRP AND KONCRETE PRODUCTS PVT LTD

1114 Hubtown Solaris
Prof N.S Phadke Road, Andheri (E)
Mumbai-400 069
INDIA
Ph: +91 22 66913250 ,
Mob: +91 9822036550 / 9850089903 ,
email: info@kkfrp.com / kkmgnsk@gmail.com
Web: www.kkfrp.com



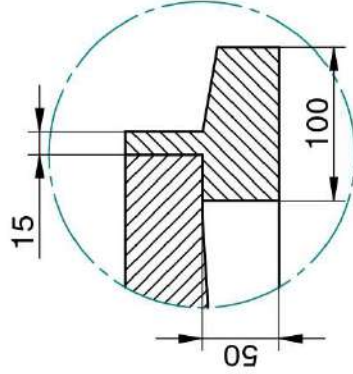
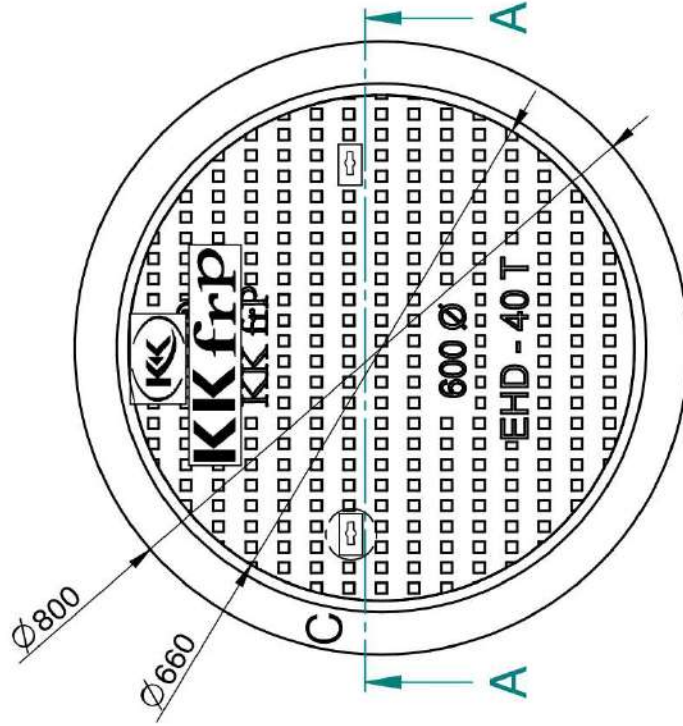
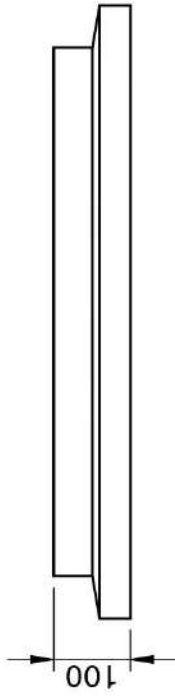
Specific Product Code/s:	MCEHD03
Product Group:	KK-FRP FIBREGLASS COMPOSITE MANHOLE COVER & FRAME
Sub-Category:	Extra Heavy Duty EHD 40 T Cap. As per BSEN124:2015
Material Composition :	Unsaturated Polyester Resin UV Resistant ISO Grade, Emulsion Fibreglass Matt E Class, Accelerators, UV Resistant Pigment, Polymer Concrete in Quartz as Core,

Basic Dimensions (mm):	Clear Opening	600 mm Dia
	Cover Size:	660 mm Dia
	Cover Height:	50 mm
	Frame Size:	800 mm Dia
	Frame Height:	100 mm

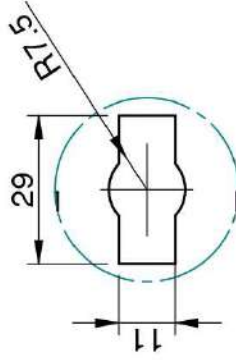
Weight (kgs): Approx. 46 kg

Load Rating Classification: D400 (40T)

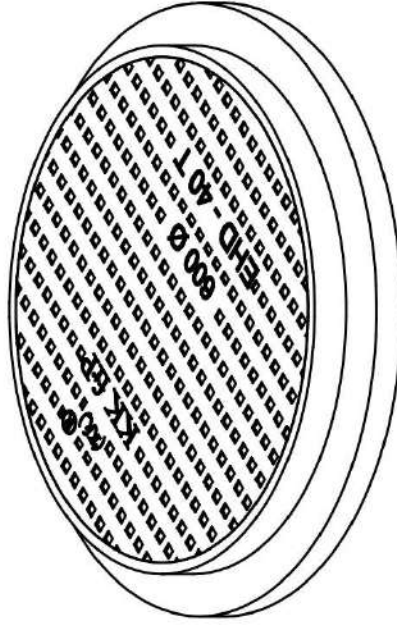
- Features:
- FRP Manhole Cover & Frame D400 as per BSEN124.
 - Heavy duty design to cope with the demands of heavily traffic in Main Roads , carriageways , Parkings etc.
 - Key Holes 2nos with **(SS Key optional)** & Lifting device provided .
 - Choice of Colour Available.
 - Anti skid surface.
 - Waterproof, Weatherproof, Burglar proof , Non corrossive, High Strenght to Wt ratio, Easy of handing as Light wt , Heat Resistant, Shockproof .
 - Provision for Logo of Buyer.
 - Additional Provision of Gasket (O-Ring) 6 mm Dia & SS Nut Bolts with Washer to make Water Tight **(Optional)** .



DETAIL B



DETAIL C
KEY HOLE
FOR LIFTING



- ① CLEAR OPENING = Ø 600 MM
- ② OUTER FRAME SIZE = Ø 800 MM
- ③ OUTER COVER SIZE = Ø 660 MM
- ④ APPROX WEIGHT = 46 KG

NOTE:-

- 1. ALL DIMENSIONS ARE IN MM.
- 2. DIMENSIONAL TOLERANCE +/- 1%

	Drawn	RJ	Checked	AB	Scale:	1:5	Projection:	
	DESCRIPTION:		MCEHD-03		Sheet No.	2 of 2		DRG. NO.

CONFIDENTIAL INFORMATION

(UNAUTHORISED DISCLOSURE PROHIBITED)

KK frp