

Technical Specification/ Product Datasheet

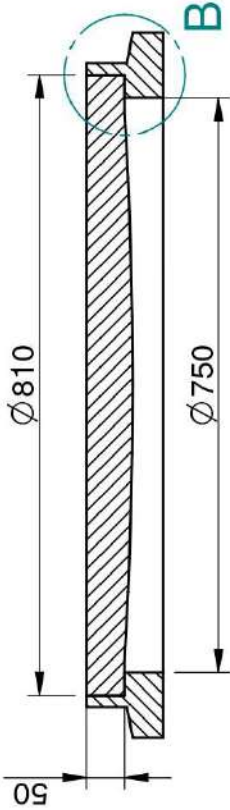
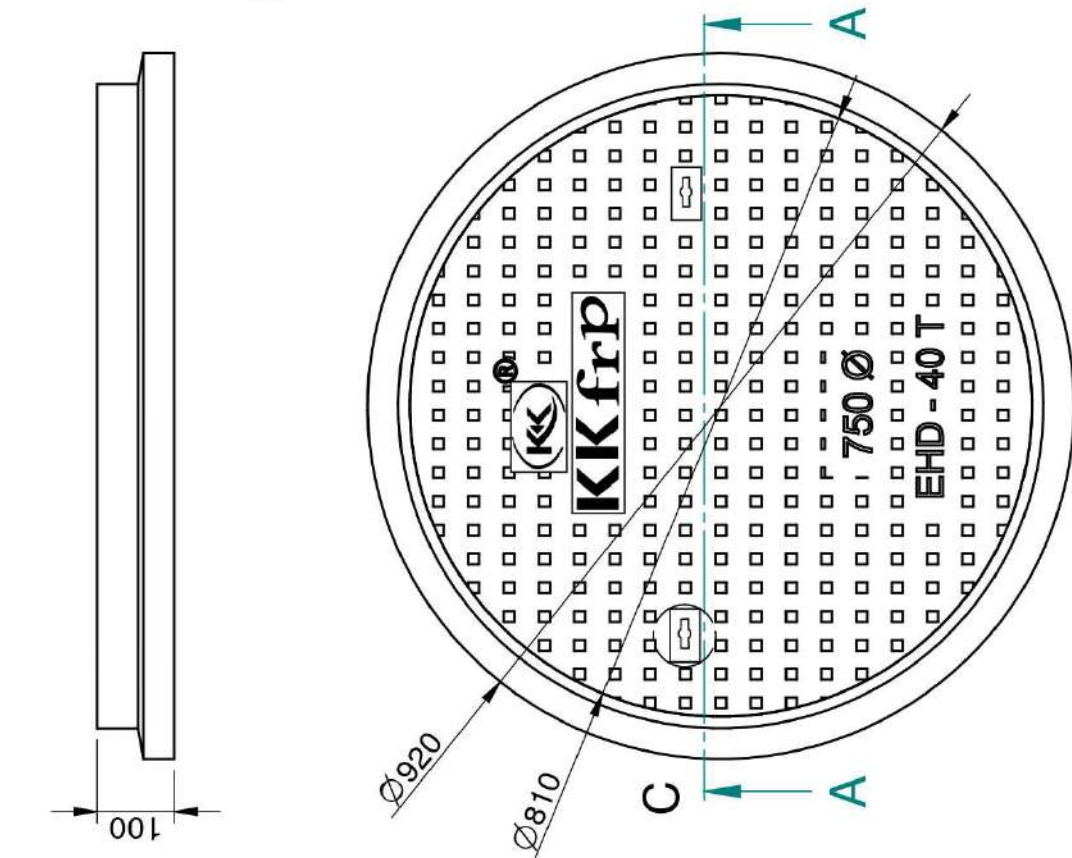


KK-FRP AND KONCRETE PRODUCTS PVT LTD

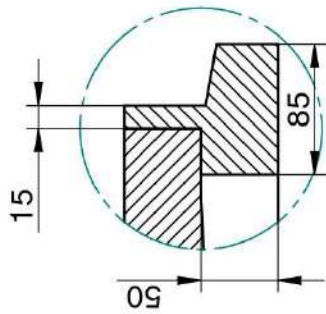
1114 Hubtown Solaris
Prof N.S Phadke Road, Andheri (E)
Mumbai-400 069
INDIA
Ph: +91 22 66913250 ,
Mob: +91 9822036550 / 9850089903 ,
email: info@kkfrp.com / kkmgnsk@gmail.com
Web: www.kkfrp.com



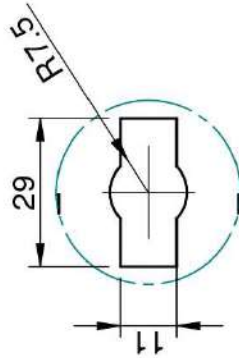
Specific Product Code/s:	MCEHD04
Product Group:	KK-FRP FIBREGLASS COMPOSITE MANHOLE COVER & FRAME
Sub-Category:	Extra Heavy Duty EHD 40 T Cap. As per BSEN124:2015
Material Composition :	Unsaturated Polyester Resin UV Resistant ISO Grade, Emulsion Fibreglass Matt E Class, Accelerators, UV Resistant Pigment, Polymer Concrete in Quartz as Core,
Basic Dimensions (mm):	Clear Opening 750 mm Dia Cover Size: 810 mm Dia Cover Height: 50 mm Frame Size: 920 mm Dia Frame Height: 100 mm
Weight (kgs):	Approx. 70 kg
Load Rating Classification:	D400 (40T)
Features:	<ul style="list-style-type: none">➤ FRP Manhole Cover & Frame D400 as per BSEN124.➤ Heavy duty design to cope with the demands of heavily traffic in Main Roads , carriageways , Parkings etc.➤ Key Holes 2nos with (SS Key optional) & Lifting device provided .➤ Choice of Colour Available.➤ Anti skid surface.➤ Waterproof, Weatherproof, Burglar proof , Non corrossive, High Strenght to Wt ratio, Easy of handing as Light wt , Heat Resistant, Shockproof .➤ Provision for Logo of Buyer.➤ Additional Provision of Gasket (O-Ring) 6 mm Dia & SS Nut Bolts with Washer to make Water Tight (Optional) .



SECTION A-A



DETAIL B



DETAIL C
KEY HOLE
FOR LIFTING

- ① CLEAR OPENING = Ø 750 MM
- ② OUTER FRAME SIZE = Ø 920 MM
- ③ OUTER COVER SIZE = Ø 810 MM
- ④ APPROX WEIGHT = 70 KG

NOTE:-

- 1. ALL DIMENSIONS ARE IN MM.
- 2. DIMENSIONAL TOLERANCE +/- 1%

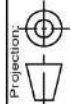
CONFIDENTIAL INFORMATION
(UNAUTHORISED DISCLOSURE PROHIBITED)



Drawn
RJ

Checked
AB

SCALE: **1:5**



KK frp

DESCRIPTION:
MCEHD-04

Sheet No.
2 of 2

DRG. INC.

MCEHD-04 DIA 750
40 T