

Technical Specification/ Product Datasheet

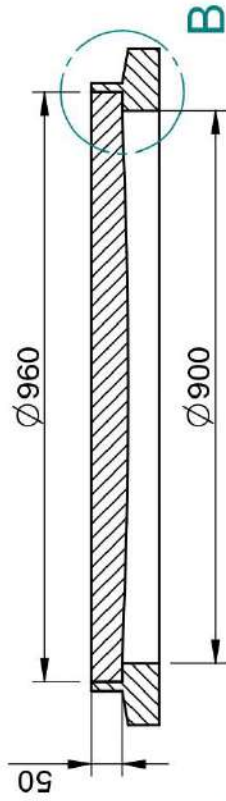
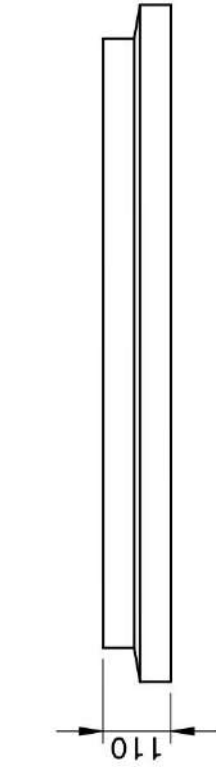


KK-FRP AND KONCRETE PRODUCTS PVT LTD

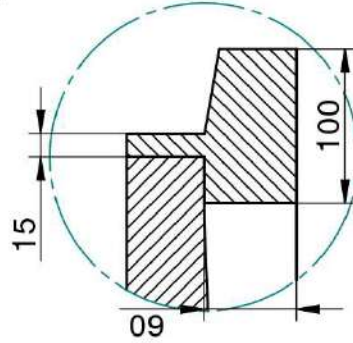
1114 Hubtown Solaris
Prof N.S Phadke Road, Andheri (E)
Mumbai-400 069
INDIA
Ph: +91 22 66913250 ,
Mob: +91 9822036550 / 9850089903 ,
email: info@kkfrp.com / kkmgnsk@gmail.com
Web: www.kkfrp.com



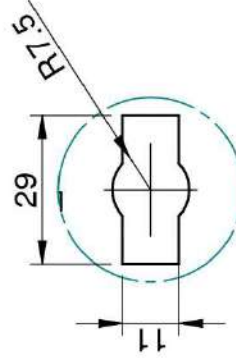
Specific Product Code/s:	MCEHD05
Product Group:	KK-FRP FIBREGLASS COMPOSITE MANHOLE COVER & FRAME
Sub-Category:	Extra Heavy Duty EHD 40 T Cap. As per BSEN124:2015
Material Composition :	Unsaturated Polyester Resin UV Resistant ISO Grade, Emulsion Fibreglass Matt E Class, Accelerators, UV Resistant Pigment, Polymer Concrete in Quartz as Core,
Basic Dimensions (mm):	Clear Opening 900 mm Dia Cover Size: 960 mm Dia Cover Height: 50 mm Frame Size: 1100 mm Dia Frame Height: 110 mm
Weight (kgs):	Approx. 128 kg
Load Rating Classification:	D400 (40T)
Features:	<ul style="list-style-type: none">➤ FRP Manhole Cover & Frame D400 as per BSEN124.➤ Heavy duty design to cope with the demands of heavily traffic in Main Roads , carriageways , Parkings etc.➤ Key Holes 2nos with (SS Key optional) & Lifting device provided .➤ Choice of Colour Available.➤ Anti skid surface.➤ Waterproof, Weatherproof, Burglar proof , Non corrossive, High Strenght to Wt ratio, Easy of handing as Light wt , Heat Resistant, Shockproof .➤ Provision for Logo of Buyer.➤ Additional Provision of Gasket (O-Ring) 6 mm Dia & SS Nut Bolts with Washer to make Water Tight (Optional) .



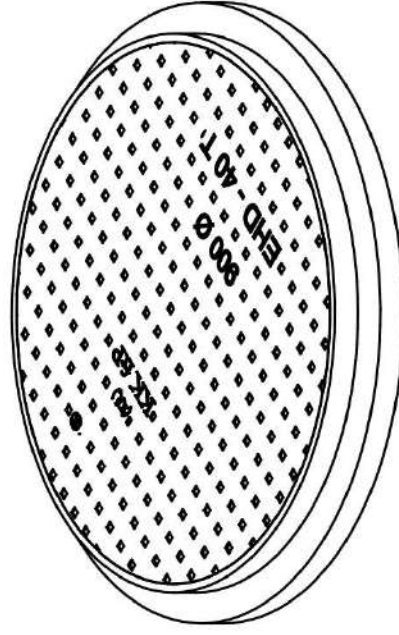
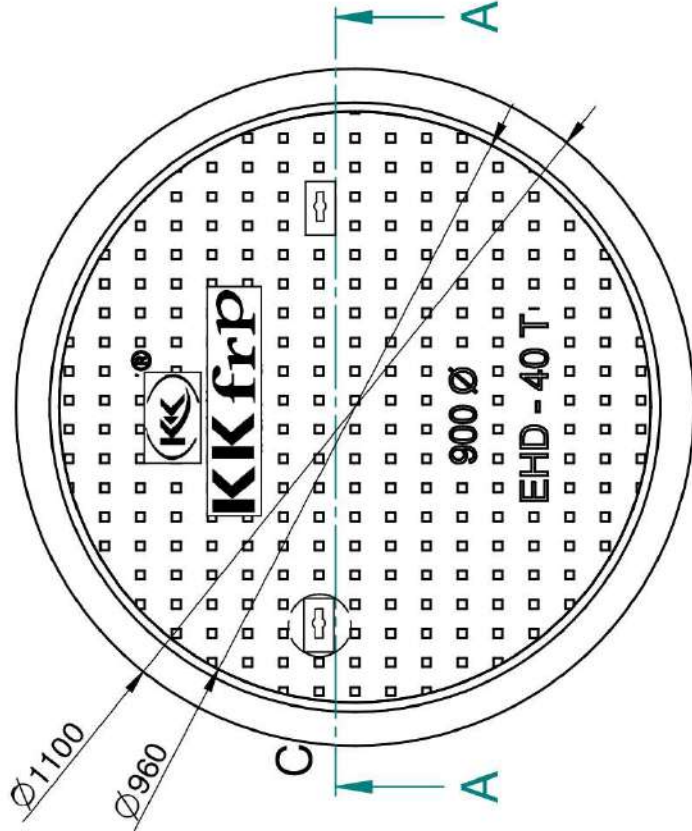
SECTION A-A



DETAIL B



**DETAIL C
KEY HOLE
FOR LIFTING**



- ① CLEAR OPENING = $\varnothing 900$ MM
- ② OUTER FRAME SIZE = $\varnothing 1100$ MM
- ③ OUTER COVER SIZE = $\varnothing 960$ MM
- ④ APPROX WEIGHT = 128 KG

NOTE:-

- 1. ALL DIMENSIONS ARE IN MM.
- 2. DIMENSIONAL TOLERANCE +/- 1%

	Drawn	RJ	Chkd	AB	Scale	1:5	Projection	
	DESCRIPTION: MCEHD-05				Sheet No.	2 OF 2	DRG. NO.	MCEHD-05 DIA 900 40 T

CONFIDENTIAL INFORMATION

(UNAUTHORISED DISCLOSURE PROHIBITED)

KK frp