

Technical Specification/ Product Datasheet



KK-FRP AND KONCRETE PRODUCTS PVT LTD

1114 Hubtown Solaris
Prof N.S Phadke Road, Andheri (E)
Mumbai-400 069
INDIA
Ph: +91 22 66913250 ,
Mob: +91 9822036550 / 9850089903 ,
email: info@kkfrp.com / kkmgnsk@gmail.com
Web: www.kkfrp.com

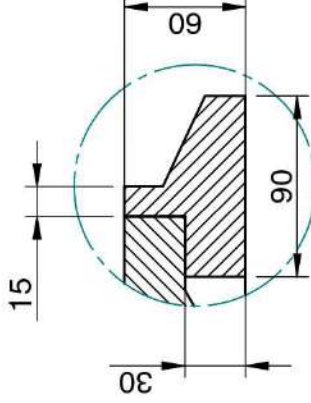
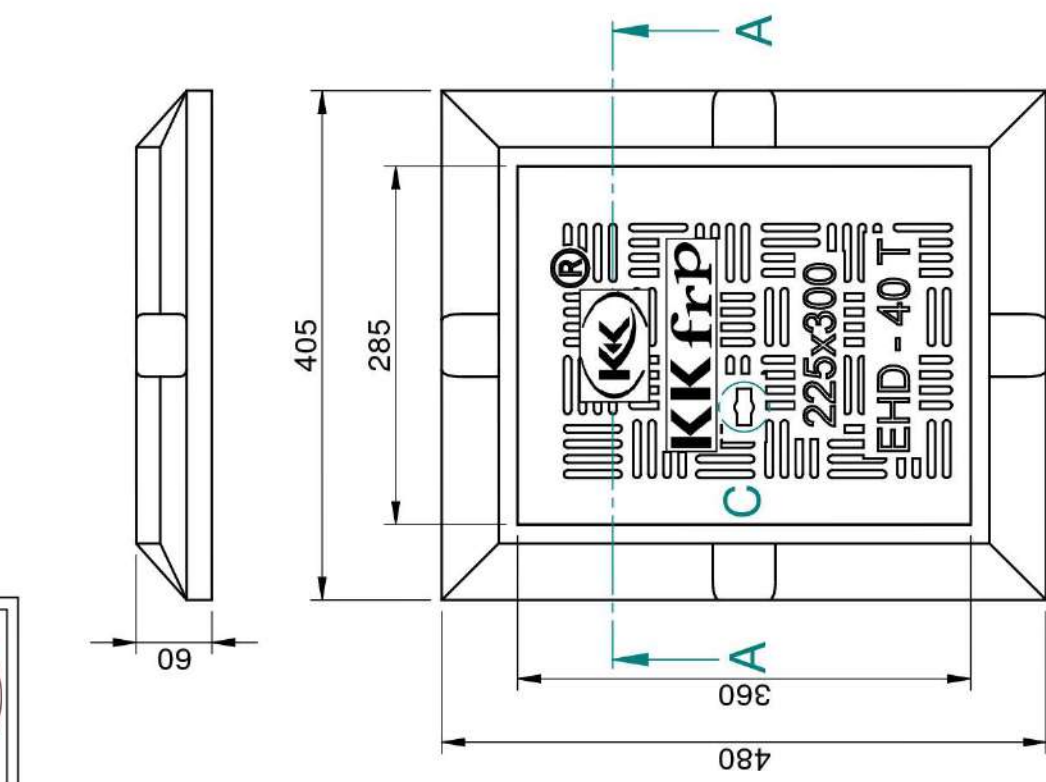
Specific Product Code/s:	MCEHD06
Product Group:	KK-FRP FIBREGLASS COMPOSITE MANHOLE COVER & FRAME
Sub-Category:	Extra Heavy Duty EHD 40 T Cap. As per BSEN124:2015
Material Composition :	Unsaturated Polyester Resin UV Resistant ISO Grade, Emulsion Fibreglass Matt E Class, Accelerators, UV Resistant Pigment, Polymer Concrete in Quartz as Core,

Basic Dimensions (mm):	Clear Opening	225 x 300 mm
	Cover Size:	285 x 360 mm
	Cover Height:	30 mm
	Frame Size:	405 x 480 mm
	Frame Height:	60 mm

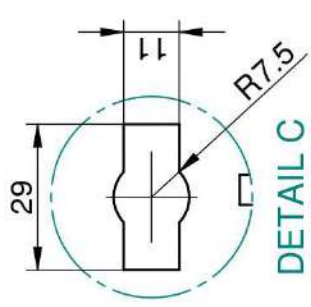
Weight (kgs): Approx. 19 kg

Load Rating Classification: D400 (40T)

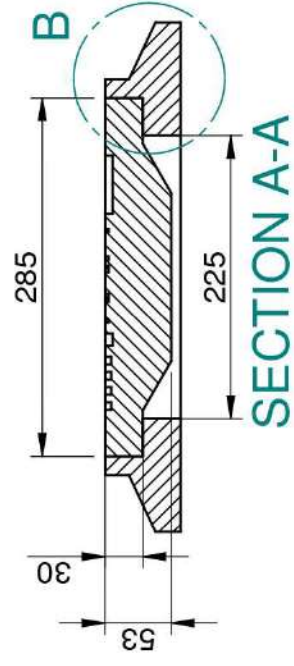
- Features:
- FRP Manhole Cover & Frame D400 as per BSEN124.
 - Heavy duty design to cope with the demands of heavily traffic in Main Roads , carriageways , Parkings etc.
 - Key Holes 1nos with **(SS Key optional)** & Lifting device provided .
 - Choice of Colour Available.
 - Anti skid surface.
 - Waterproof, Weatherproof, Burglar proof , Non corrossive, High Strenght to Wt ratio, Easy of handing as Light wt , Heat Resistant, Shockproof .
 - Provision for Logo of Buyer.
 - Additional Provision of Gasket (O-Ring) 6 mm Dia & SS Nut Bolts with Washer to make Water Tight **(Optional)** .



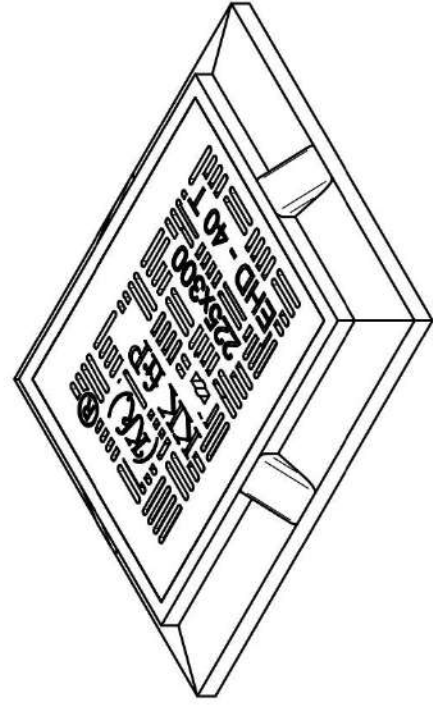
DETAIL B



DETAIL C
KEY HOLE
FOR LIFTING



SECTION A-A



- ① CLEAR OPENING = 225 X 300 MM
- ② OUTER FRAME SIZE = 405 X 480 X 60 MM
- ③ OUTER COVER SIZE = 285 X 360 X 30 MM
- ④ APPROX WEIGHT = 21 KG

	Drawn	RJ	Chkd	AB	Projection	
	SCALE:	1:5				

DESCRIPTION:	MCEHD-06	Sheet No.	2 OF 2
DRG. NO.	MCEHD-06-225x300	EHD 40 T	

CONFIDENTIAL INFORMATION
(UNAUTHORISED DISCLOSURE PROHIBITED)



NOTE:-
1. ALL DIMENSIONS ARE IN MM.
2. DIMENSIONAL TOLERANCE +/- 1%