

Technical Specification/ Product Datasheet

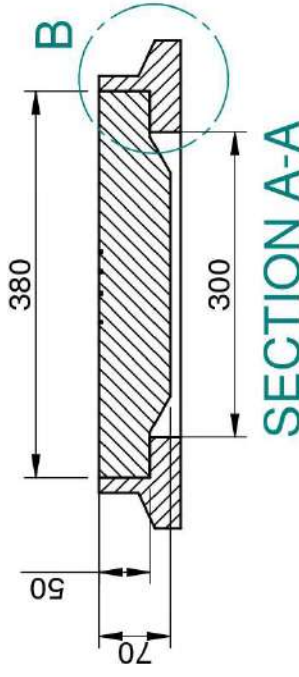
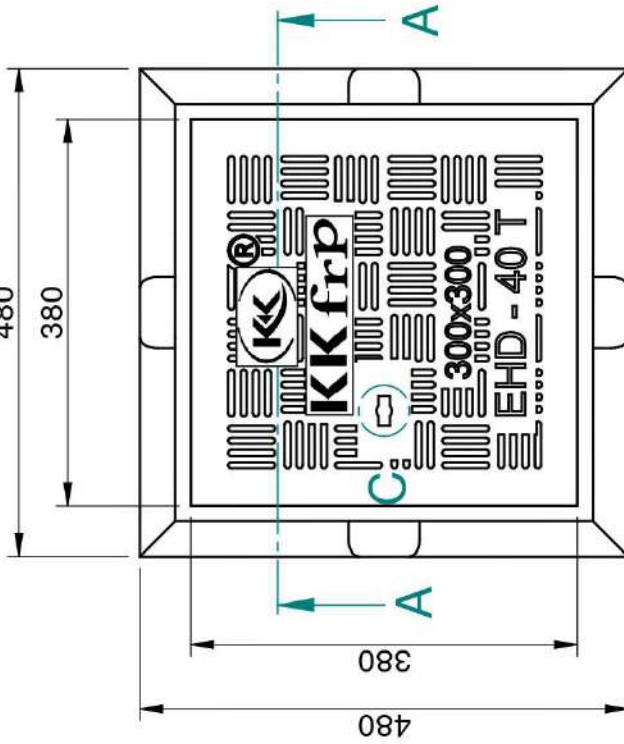
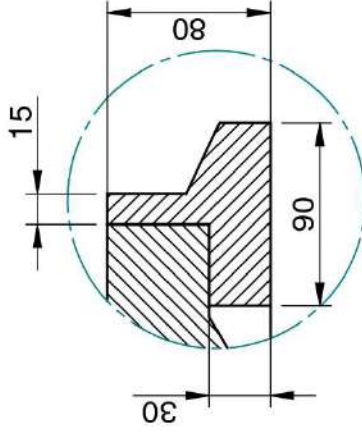
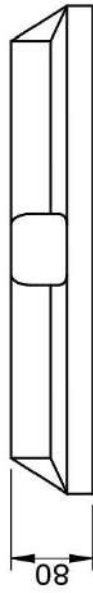


KK-FRP AND KONCRETE PRODUCTS PVT LTD

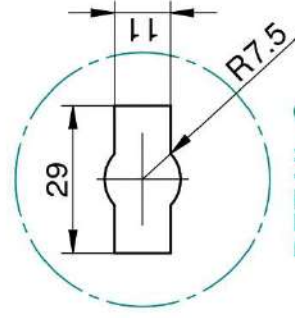
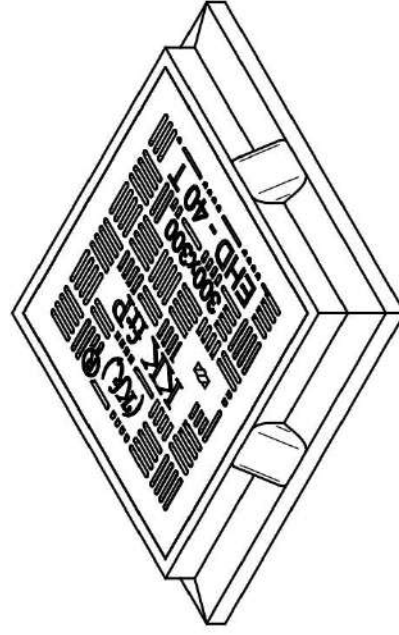
1114 Hubtown Solaris
Prof N.S Phadke Road, Andheri (E)
Mumbai-400 069
INDIA
Ph: +91 22 66913250 ,
Mob: +91 9822036550 / 9850089903 ,
email: info@kkfrp.com / kkmgnsk@gmail.com
Web: www.kkfrp.com



Specific Product Code/s:	MCEHD07
Product Group:	KK-FRP FIBREGLASS COMPOSITE MANHOLE COVER & FRAME
Sub-Category:	Extra Heavy Duty EHD 40 T Cap. As per BSEN124:2015
Material Composition :	Unsaturated Polyester Resin UV Resistant ISO Grade, Emulsion Fibreglass Matt E Class, Accelerators, UV Resistant Pigment, Polymer Concrete in Quartz as Core,
Basic Dimensions (mm):	Clear Opening 300 x 300 mm Cover Size: 380 x 380 mm Cover Height: 50 mm Frame Size: 480 x 480 mm Frame Height: 80 mm
Weight (kgs):	Approx. 26 kg
Load Rating Classification:	D400 (40T)
Features:	<ul style="list-style-type: none">➤ FRP Manhole Cover & Frame D400 as per BSEN124.➤ Heavy duty design to cope with the demands of heavily traffic in Main Roads , carriageways , Parkings etc.➤ Key Holes 1nos with (SS Key optional) & Lifting device provided .➤ Choice of Colour Available.➤ Anti skid surface.➤ Waterproof, Weatherproof, Burglar proof , Non corrossive, High Strenght to Wt ratio, Easy of handing as Light wt , Heat Resistant, Shockproof .➤ Provision for Logo of Buyer.➤ Additional Provision of Gasket (O-Ring) 6 mm Dia & SS Nut Bolts with Washer to make Water Tight (Optional) .



DETAIL B



DETAIL C
KEY HOLE
FOR LIFTING

- ① CLEAR OPENING = 300 X 300 MM
- ② OUTER FRAME SIZE = 480 X 480 X 80 MM
- ③ OUTER COVER SIZE = 380 X 380 X 50 MM
- ④ APPROX WEIGHT = 23 KG

	Drawn	RJ	Checked	AB	Scale	1:1	Projection	
	DESCRIPTION: MCEHD-07		Sheet No. 2 OF 2		DRG. NO. MCEHD-07-300X300 EHD 40 T			

NOTE:-
1. ALL DIMENSIONS ARE IN MM.
2. DIMENSIONAL TOLERANCE +/- 1%

CONFIDENTIAL INFORMATION
(UNAUTHORISED DISCLOSURE PROHIBITED)



ALL DIMENSIONS ARE IN MM