

Technical Specification/ Product Datasheet

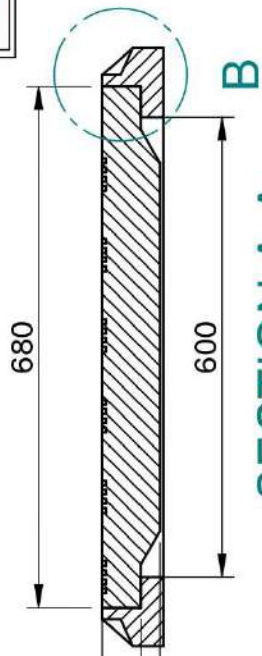
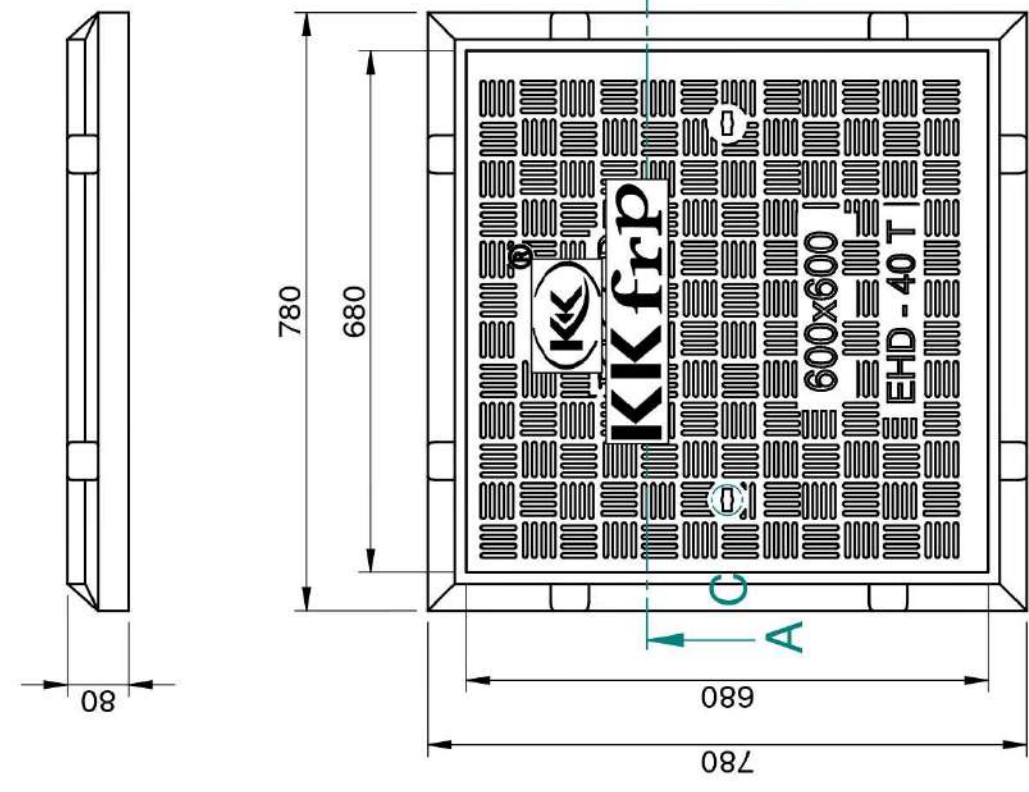


KK-FRP AND KONCRETE PRODUCTS PVT LTD

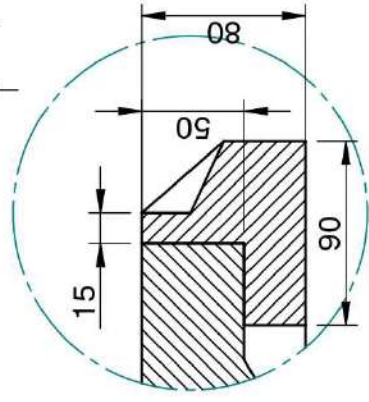
1114 Hubtown Solaris
Prof N.S Phadke Road, Andheri (E)
Mumbai-400 069
INDIA
Ph: +91 22 66913250 ,
Mob: +91 9822036550 / 9850089903 ,
email: info@kkfrp.com / kkmgnsk@gmail.com
Web: www.kkfrp.com



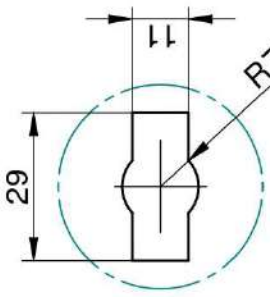
Specific Product Code/s:	MECHD10
Product Group:	KK-FRP FIBREGLASS COMPOSITE MANHOLE COVER & FRAME
Sub-Category:	Extra Heavy Duty HD 40 T Cap. As per BSEN124:2015
Material Composition :	Unsaturated Polyester Resin UV Resistant ISO Grade, Emulsion Fibreglass Matt E Class, Accelerators, UV Resistant Pigment, Polymer Concrete in Quartz as Core,
Basic Dimensions (mm):	Clear Opening 600 x 600 mm Cover Size: 680 x 680 mm Cover Height: 50 mm Frame Size: 780 x 780 mm Frame Height: 80 mm
Weight (kgs):	Approx. 69 kg
Load Rating Classification:	D400 (40T)
Features:	<ul style="list-style-type: none">➤ FRP Manhole Cover & Frame D400 as per BSEN124.➤ Heavy duty design to cope with the demands of heavily traffic in Main Roads , carriageways , Parkings etc.➤ Key Holes 2nos with (SS Key optional) & Lifting device provided .➤ Choice of Colour Available , Standard Colour Light Grey.➤ Anti skid surface.➤ Waterproof, Weatherproof, Burglar proof , Non corrossive, High Strenght to Wt ratio, Easy of handing as Light wt , Heat Resistant, Shockproof .➤ Provision for Logo of Buyer.➤ Additional Provision of Gasket (O-Ring) 6 mm Dia & SS Nut Bolts with Washer to make Water Tight (Optional) .



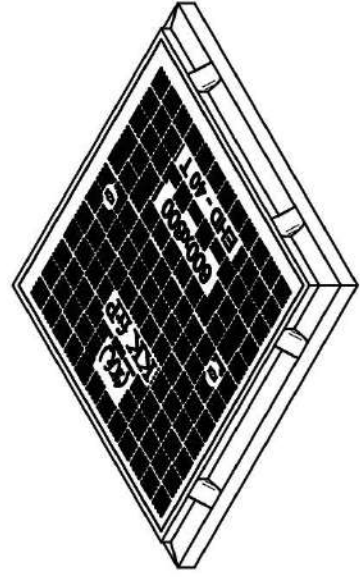
SECTION A-A



DETAIL B



**DETAIL C
KEY HOLE
FOR LIFTING**



- ① CLEAR OPENING = 600 x 600 MM
- ② OUTER FRAME SIZE = 780 x 780 x 80 MM
- ③ OUTER COVER SIZE = 680 x 680 x 50 MM
- ④ APPROX WEIGHT = 69 KG

NOTE:-

- 1. ALL DIMENSIONS ARE IN MM.
- 2. DIMENSIONAL TOLERANCE +/- 1%

	Drawn	RJ	Checked	AB	Scale:	1:5	Projection:	
	DESCRIPTION:			MCEHD-10	Sheet No.	2 of 2	DRG. NO.	MCEHD-10-600x600 40 T

CONFIDENTIAL INFORMATION
(UNAUTHORISED DISCLOSURE PROHIBITED)

KK frp