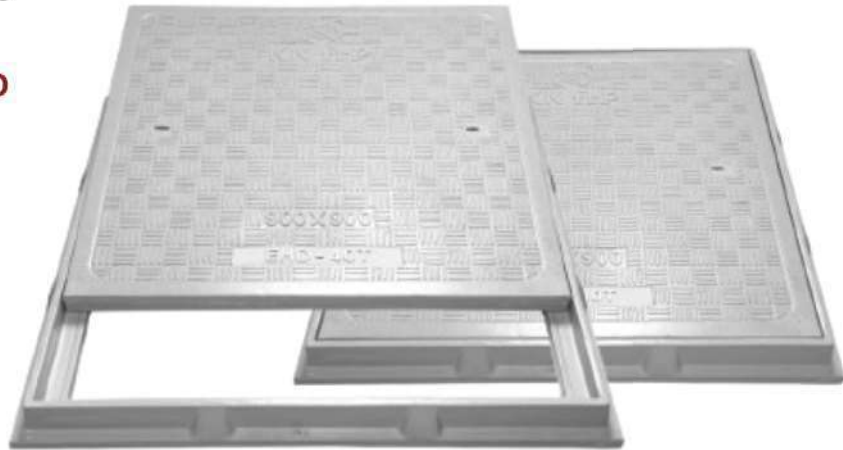


# Technical Specification/ Product Datasheet

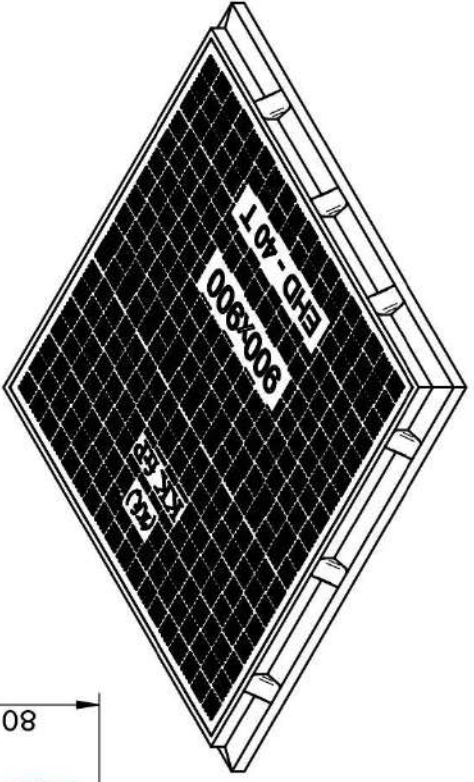
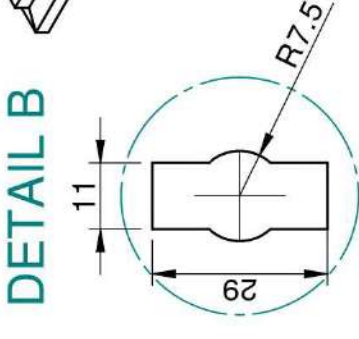
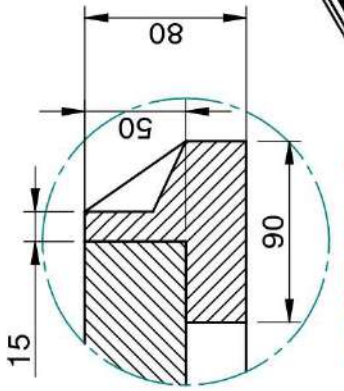
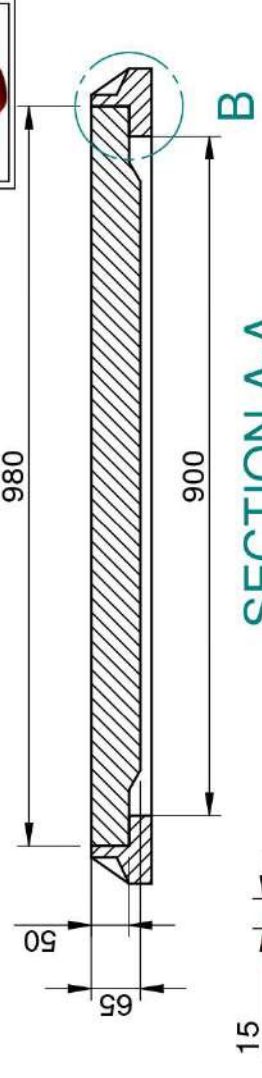
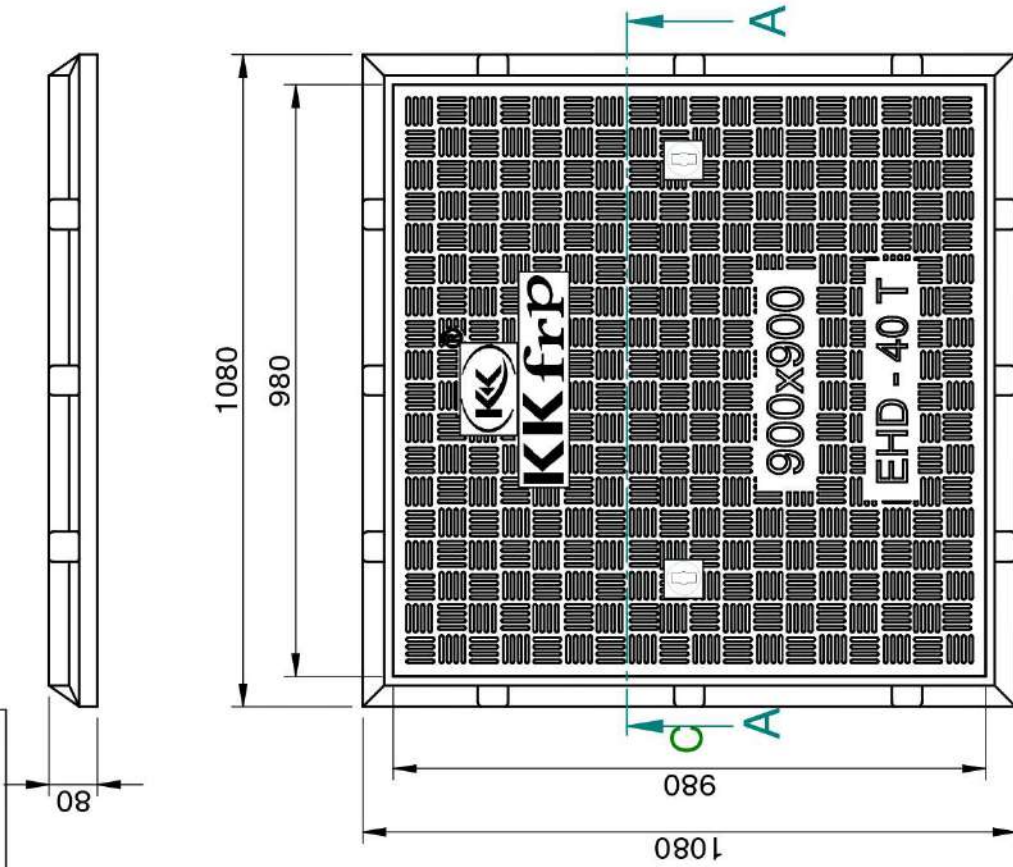


## KK-FRP AND KONCRETE PRODUCTS PVT LTD

1114 Hubtown Solaris  
Prof N.S Phadke Road, Andheri (E)  
Mumbai-400 069  
INDIA  
Ph: +91 22 66913250 ,  
Mob: +91 9822036550 / 9850089903 ,  
email: [info@kkfrp.com](mailto:info@kkfrp.com) / [kkmgnsk@gmail.com](mailto:kkmgnsk@gmail.com)  
Web: [www.kkfrp.com](http://www.kkfrp.com)



Specific Product Code/s:	MCEHD16
Product Group:	KK-FRP FIBREGLASS COMPOSITE MANHOLE COVER & FRAME
Sub-Category:	Extra Heavy Duty EHD 40 T Cap. As per BSEN124:2015
Material Composition :	Unsaturated Polyester Resin UV Resistant ISO Grade, Emulsion Fibreglass Matt E Class, Accelerators, UV Resistant Pigment, Polymer Concrete in Quartz as Core,
Basic Dimensions (mm):	Clear Opening 900 x 900 mm Cover Size: 980 x 980 mm Cover Height: 50 mm Frame Size: 1080 x 1080 mm Frame Height: 80 mm
Weight (kgs):	Approx. 138 kg
Load Rating Classification:	D400 (40T)
Features:	<ul style="list-style-type: none"><li>➤ FRP Manhole Cover &amp; Frame D400 as per BSEN124.</li><li>➤ Heavy duty design to cope with the demands of heavily traffic in Main Roads , carriageways , Parkings etc.</li><li>➤ Key Holes 2nos with <b>(SS Key optional)</b> &amp; Lifting device provided .</li><li>➤ Choice of Colour Available.</li><li>➤ Anti skid surface.</li><li>➤ Waterproof, Weatherproof, Burglar proof , Non corrossive, High Strenght to Wt ratio, Easy of handing as Light wt , Heat Resistant, Shockproof .</li><li>➤ Provision for Logo of Buyer.</li><li>➤ Additional Provision of Gasket (O-Ring) 6 mm Dia &amp; SS Nut Bolts with Washer to make Water Tight <b>(Optional)</b> .</li></ul>



- ① CLEAR OPENING = 900 x 900 MM
- ② OUTER FRAME SIZE = 1080 x 1080 x 80 MM
- ③ OUTER COVER SIZE = 980 x 980 x 50 MM
- ④ APPROX WEIGHT = 140 KG

	Drawn	RJ	Ched	AB	Projection: 
	Scale:	1:5			
DESCRIPTION:			MCEHD-16		DRG. NO. MCEHD-16-900x900 40 T
Sheet No.			2 of 2		

**KK frp**

CONFIDENTIAL INFORMATION  
(UNAUTHORISED DISCLOSURE PROHIBITED)

NOTE:-  
1. ALL DIMENSIONS ARE IN MM.  
2. DIMENSIONAL TOLERANCE +/- 1%