

# Technical Specification/ Product Datasheet

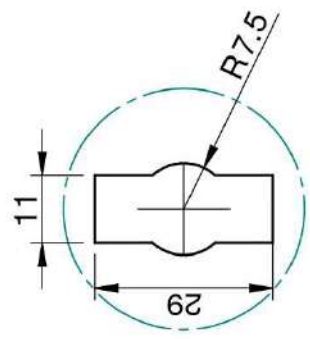
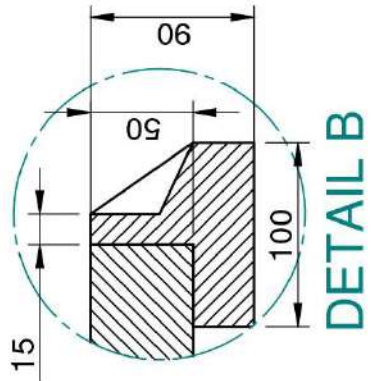
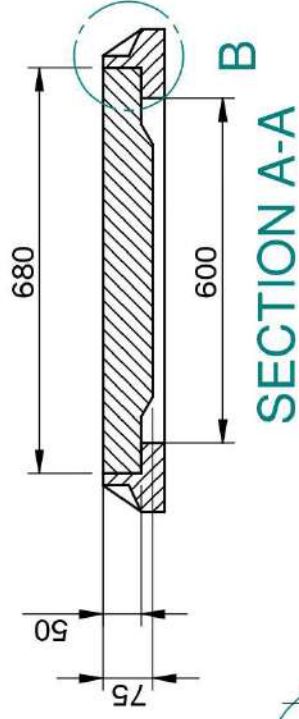
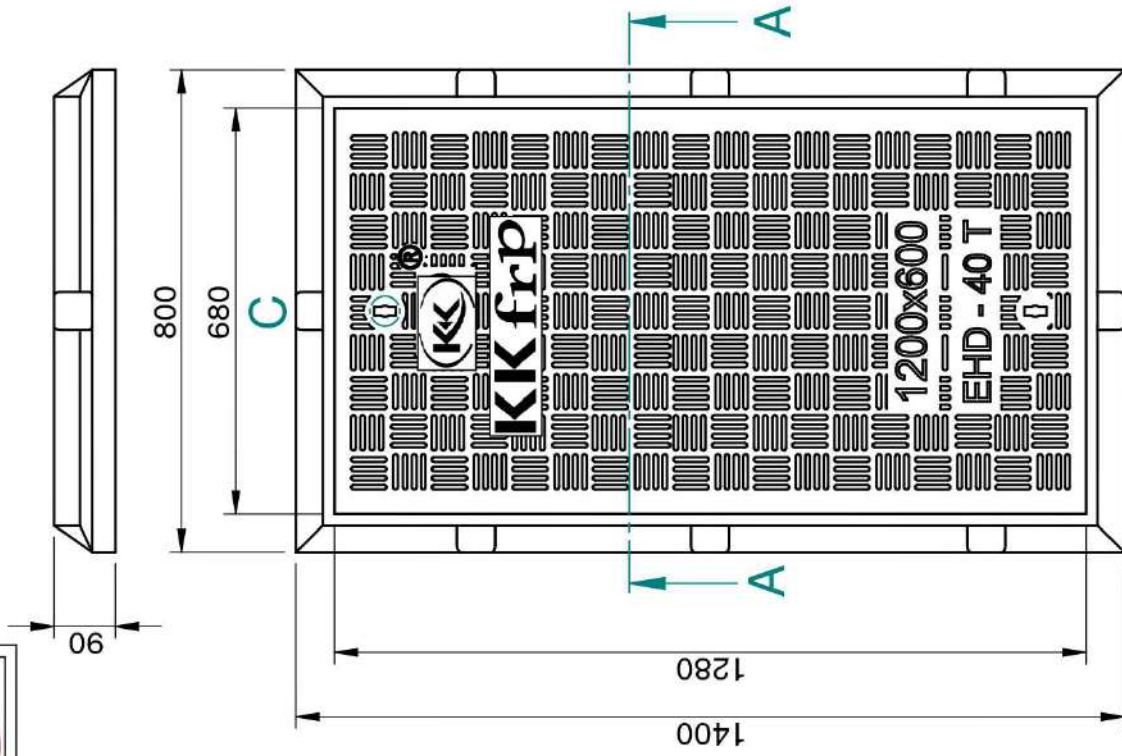


## KK-FRP AND KONCRETE PRODUCTS PVT LTD

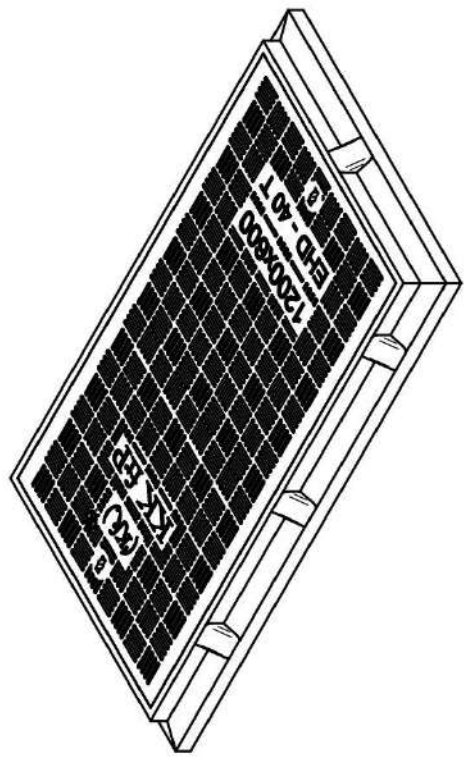
1114 Hubtown Solaris  
Prof N.S Phadke Road, Andheri (E)  
Mumbai-400 069  
INDIA  
Ph: +91 22 66913250 ,  
Mob: +91 9822036550 / 9850089903 ,  
email: [info@kkfrp.com](mailto:info@kkfrp.com) / [kkmgnsk@gmail.com](mailto:kkmgnsk@gmail.com)  
Web: [www.kkfrp.com](http://www.kkfrp.com)



Specific Product Code/s:	MCEHD18
Product Group:	KK-FRP FIBREGLASS COMPOSITE MANHOLE COVER & FRAME
Sub-Category:	Extra Heavy Duty EHD 40 T Cap. As per BSEN124:2015
Material Composition :	Unsaturated Polyester Resin UV Resistant ISO Grade, Emulsion Fibreglass Matt E Class, Accelerators, UV Resistant Pigment, Polymer Concrete in Quartz as Core,
Basic Dimensions (mm):	Clear Opening 1200 x 600 mm Cover Size: 1280 x 680 mm Cover Height: 50 mm Frame Size: 1400 x 800 mm Frame Height: 90 mm
Weight (kgs):	Approx. 150 kg
Load Rating Classification:	D400 (40T)
Features:	<ul style="list-style-type: none"><li>➤ FRP Manhole Cover &amp; Frame D400 as per BSEN124.</li><li>➤ Heavy duty design to cope with the demands of heavily traffic in Main Roads , carriageways , Parkings etc.</li><li>➤ Key Holes 4nos with <b>(SS Key optional)</b> &amp; Lifting device provided .</li><li>➤ Choice of Colour Available , Standard Colour Light Grey.</li><li>➤ Anti skid surface.</li><li>➤ Waterproof, Weatherproof, Burglar proof , Non corrossive, High Strenght to Wt ratio, Easy of handing as Light wt , Heat Resistant, Shockproof .</li><li>➤ Provision for Logo of Buyer.</li><li>➤ Additional Provision of Gasket (O-Ring) 6 mm Dia &amp; SS Nut Bolts with Washer to make Water Tight <b>(Optional)</b> .</li></ul>



**DETAIL C**  
KEY HOLE  
FOR LIFTING



- ① CLEAR OPENING = 1200 x 600 MM
- ② OUTER FRAME SIZE = 1400 x 800 x 90 MM
- ③ OUTER COVER SIZE = 1280 x 680 x 50 MM
- ④ APPROX WEIGHT = 123 KG

NOTE:-

- 1. ALL DIMENSIONS ARE IN MM.
- 2. DIMENSIONAL TOLERANCE +/- 1%

	Drawn	RJ	Ched	AB	Scale:	1:5	Projection:	
	DESCRIPTION:		MCEHD-18		Sheet No.	2 of 2	DRG.NO.	MCEHD-18-1200x600

CONFIDENTIAL INFORMATION  
(UNAUTHORISED DISCLOSURE PROHIBITED)

**KK frp**