

Technical Specification/ Product Datasheet

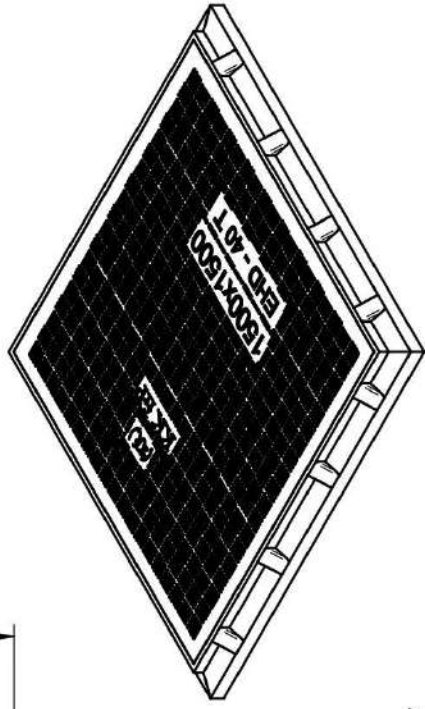
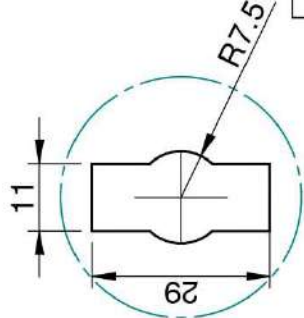
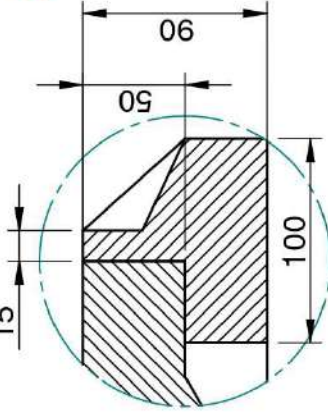
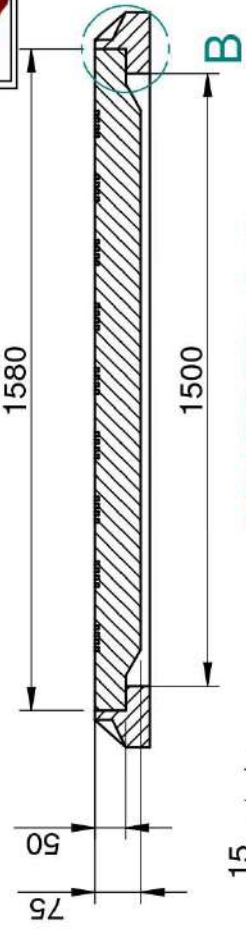
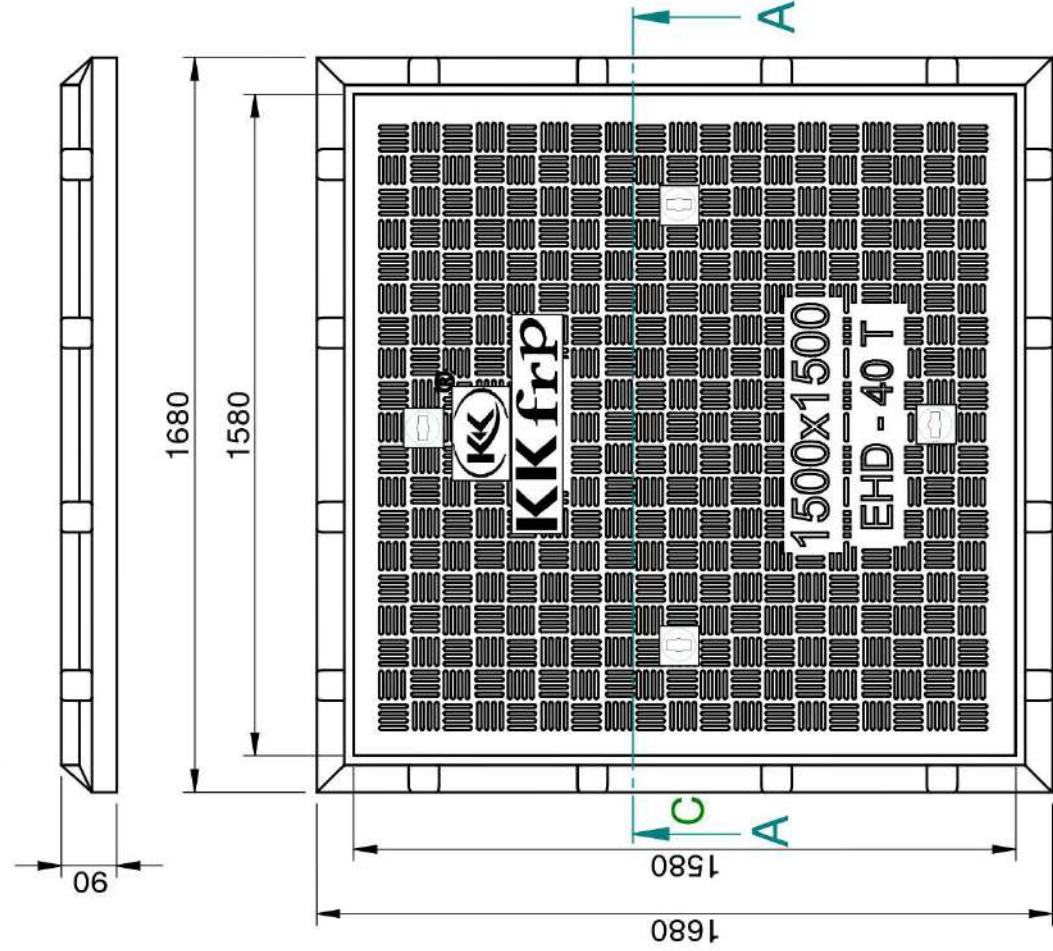


KK-FRP AND KONCRETE PRODUCTS PVT LTD

1114 Hubtown Solaris
Prof N.S Phadke Road, Andheri (E)
Mumbai-400 069
INDIA
Ph: +91 22 66913250 ,
Mob: +91 9822036550 / 9850089903 ,
email: info@kkfrp.com / kkmgnsk@gmail.com
Web: www.kkfrp.com



Specific Product Code/s:	MCEHD21
Product Group:	KK-FRP FIBREGLASS COMPOSITE MANHOLE COVER & FRAME
Sub-Category:	Extra Heavy Duty EHD 40 T Cap. As per BSEN124:2015
Material Composition :	Unsaturated Polyester Resin UV Resistant ISO Grade, Emulsion Fibreglass Matt E Class, Accelerators, UV Resistant Pigment, Polymer Concrete in Quartz as Core,
Basic Dimensions (mm):	Clear Opening 1500 x 1500 mm Cover Size: 1580 x 1580 mm Cover Height: 50 mm Frame Size: 1680 x 1680 mm Frame Height: 90 mm
Weight (kgs):	Approx. 290 kg
Load Rating Classification:	D400 (40T)
Features:	<ul style="list-style-type: none">➤ FRP Manhole Cover & Frame D400 as per BSEN124.➤ Heavy duty design to cope with the demands of heavily traffic in Main Roads , carriageways , Parkings etc.➤ Key Holes 4nos with (SS Key optional) & Lifting device provided .➤ Choice of Colour Available.➤ Anti skid surface.➤ Waterproof, Weatherproof, Burglar proof , Non corrossive, High Strenght to Wt ratio, Easy of handing as Light wt , Heat Resistant, Shockproof .➤ Provision for Logo of Buyer.➤ Additional Provision of Gasket (O-Ring) 6 mm Dia & SS Nut Bolts with Washer to make Water Tight (Optional) .



SECTION A-A

DETAIL B

DETAIL C
KEY HOLE
FOR LIFTING

- ① CLEAR OPENING = 1500 x 1500 MM
- ② OUTER FRAME SIZE = 1680 x 1680 x 90 MM
- ③ OUTER COVER SIZE = 1580 x 1580 x 50 MM
- ④ APPROX WEIGHT = 290 KG

	Drawn	RJ	Chad	AB	Projection:	
	SCALE:	1:5	DRG.NO.	MCEHD-21-1500X1500	40 T	
DESCRIPTION:			MCHD-21	Sheet No.	2 of 2	

KK frp

CONFIDENTIAL INFORMATION

(UNAUTHORISED DISCLOSURE PROHIBITED)

NOTE:-
1. ALL DIMENSIONS ARE IN MM.
2. DIMENSIONAL TOLERANCE +/- 1%