

Technical Specification/ Product Datasheet



KK-FRP AND KONCRETE PRODUCTS PVT LTD

1114 Hubtown Solaris
Prof N.S Phadke Road, Andheri (E)
Mumbai-400 069
INDIA
Ph: +91 22 66913250 ,
Mob: +91 9822036550 / 9850089903 ,
email: info@kkfrp.com / kkmgnsk@gmail.com
Web: www.kkfrp.com



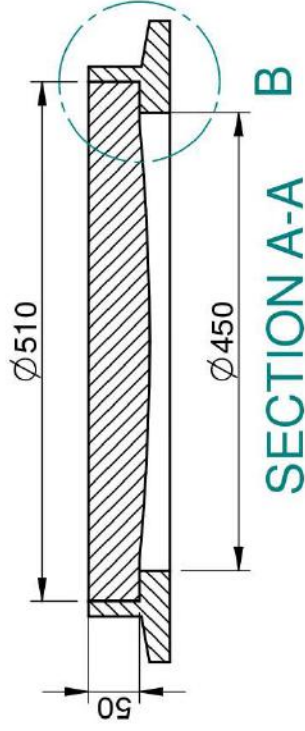
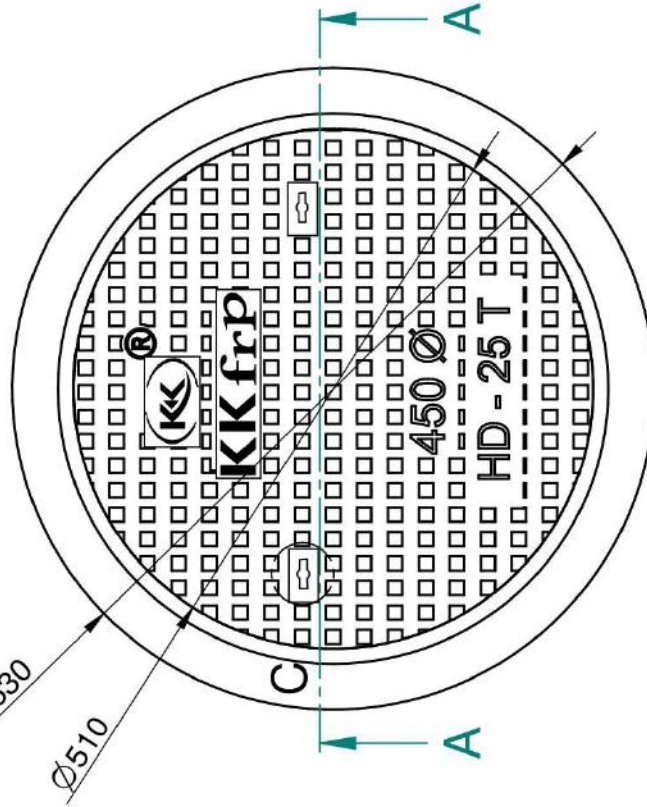
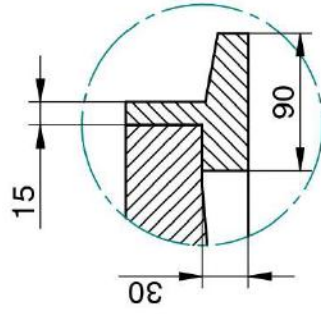
Specific Product Code/s:	MCHD01
Product Group:	KK-FRP FIBREGLASS COMPOSITE MANHOLE COVER & FRAME
Sub-Category:	Heavy Duty HD 25 T Cap. As per BSEN124:2015
Material Composition :	Unsaturated Polyester Resin UV Resistant ISO Grade, Emulsion Fibreglass Matt E Class, Accelerators, UV Resistant Pigment, Polymer Concrete in Quartz as Core,

Basic Dimensions (mm):	Clear Opening	450 mm Dia
	Cover Size:	510 mm Dia
	Cover Height:	50 mm
	Frame Size:	630 mm Dia
	Frame Height:	80 mm

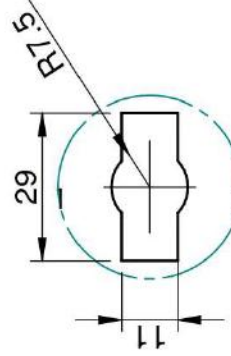
Weight (kgs): Approx. 40 kg

Load Rating Classification: C250 (25T)

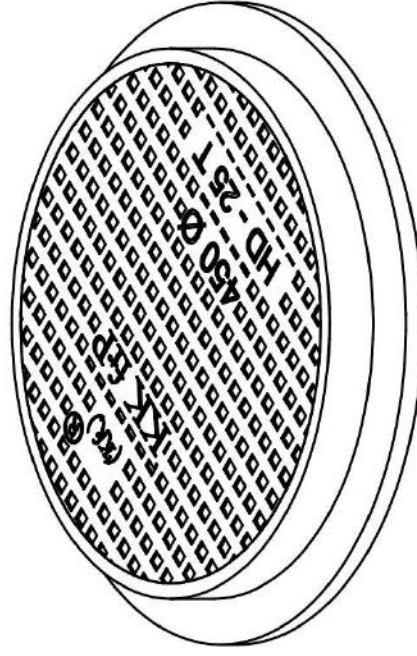
- Features:
- FRP Manhole Cover & Frame C250 as per BSEN124.
 - Heavy duty design to cope with the demands of heavily traffic in Main Roads , carriageways , Parkings etc.
 - Key Holes 2nos with **(SS Key optional)** & Lifting device provided .
 - Choice of Colour Available.
 - Anti skid surface.
 - Waterproof, Weatherproof, Burglar proof , Non corrossive, High Strenght to Wt ratio, Easy of handing as Light wt , Heat Resistant, Shockproof .
 - Provision for Logo of Buyer.
 - Additional Provision of Gasket (O-Ring) 6 mm Dia & SS Nut Bolts with Washer to make Water Tight **(Optional)** .



DETAIL B



**DETAIL C
KEY HOLE
FOR LIFTING**



- ① CLEAR OPENING = Ø 450 MM
- ② OUTER FRAME SIZE = Ø 630 MM
- ③ OUTER COVER SIZE = Ø 510 MM
- ④ APPROX WEIGHT = 40 KG

	Drawn	RJ	Checked	AB	Scale	1:5	Projection	
	DESCRIPTION:		MCHD-01		Sheet No.		2 OF 2	
DRG. NO.		MCHD-01		DRG. NO.		MCHD-01 DIA 450 25 T		

NOTE:-
 1. ALL DIMENSIONS ARE IN MM.
 2. DIMENSIONAL TOLERANCE +/- 1%

CONFIDENTIAL INFORMATION
 (UNAUTHORISED DISCLOSURE PROHIBITED)

KK frp