

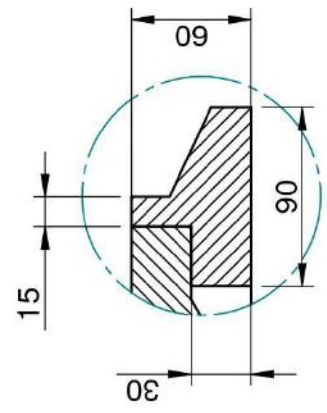
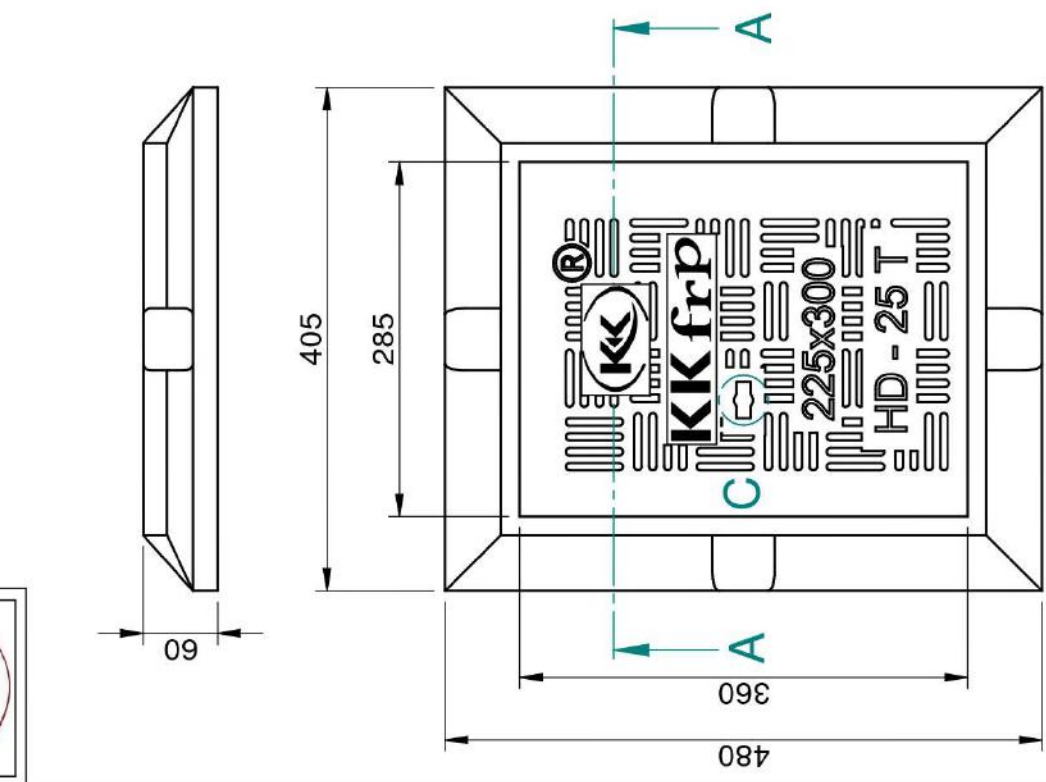
# Technical Specification/ Product Datasheet



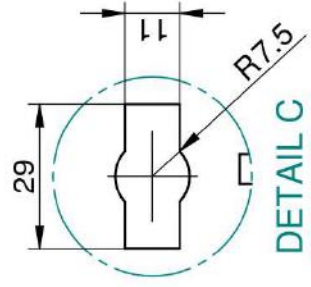
## KK-FRP AND KONCRETE PRODUCTS PVT LTD

1114 Hubtown Solaris  
Prof N.S Phadke Road, Andheri (E)  
Mumbai-400 069  
INDIA  
Ph: +91 22 66913250 ,  
Mob: +91 9822036550 / 9850089903 ,  
email: [info@kkfrp.com](mailto:info@kkfrp.com) / [kkmgnsk@gmail.com](mailto:kkmgnsk@gmail.com)  
Web: [www.kkfrp.com](http://www.kkfrp.com)

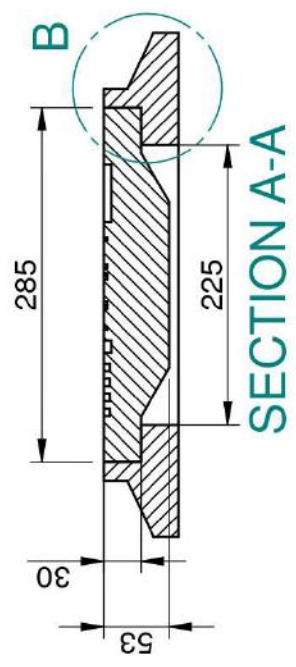
Specific Product Code/s:	MCHD06
Product Group:	KK-FRP FIBREGLASS COMPOSITE MANHOLE COVER & FRAME
Sub-Category:	Heavy Duty HD 25 T Cap. As per BSEN124:2015
Material Composition :	Unsaturated Polyester Resin UV Resistant ISO Grade, Emulsion Fibreglass Matt E Class, Accelerators, UV Resistant Pigment, Polymer Concrete in Quartz as Core,
Basic Dimensions (mm):	Clear Opening 225 x 300 mm Cover Size: 285 x 360 mm Cover Height: 30 mm Frame Size: 405 x 480 mm Frame Height: 60 mm
Weight (kgs):	Approx. 19 kg
Load Rating Classification:	C250 (25T)
Features:	<ul style="list-style-type: none"><li>➤ FRP Manhole Cover &amp; Frame C250 as per BSEN124.</li><li>➤ Heavy duty design to cope with the demands of heavily traffic in Main Roads , carriageways , Parkings etc.</li><li>➤ Key Holes 1nos with <b>(SS Key optional)</b> &amp; Lifting device provided .</li><li>➤ Choice of Colour Available.</li><li>➤ Anti skid surface.</li><li>➤ Waterproof, Weatherproof, Burglar proof , Non corrossive, High Strenght to Wt ratio, Easy of handing as Light wt , Heat Resistant, Shockproof .</li><li>➤ Provision for Logo of Buyer.</li><li>➤ Additional Provision of Gasket (O-Ring) 6 mm Dia &amp; SS Nut Bolts with Washer to make Water Tight <b>(Optional)</b> .</li></ul>



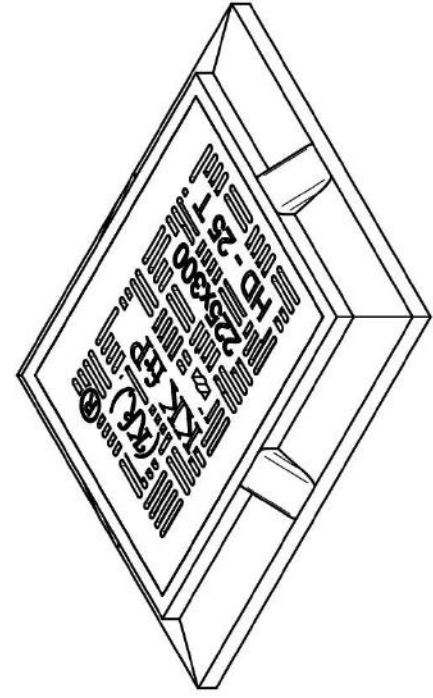
DETAIL B



DETAIL C  
KEY HOLE  
FOR LIFTING



SECTION A-A



- ① CLEAR OPENING = 225 X 300 MM
- ② OUTER FRAME SIZE = 405 X 480 X 60 MM
- ③ OUTER COVER SIZE = 285 X 360 X 30 MM
- ④ APPROX WEIGHT = 21 KG

	Drawn	RJ	Checked	AB	Scale	1:5	Projection	
	DESCRIPTION:		MCHD-06		Sheet No.	2 OF 2	DRG. NO.	MCEHD-06-225x300
								HD 25 T

**KK frp**

CONFIDENTIAL INFORMATION  
(UNAUTHORISED DISCLOSURE PROHIBITED)

NOTE:-  
1. ALL DIMENSIONS ARE IN MM.  
2. DIMENSIONAL TOLERANCE +/- 1%