

Technical Specification/ Product Datasheet

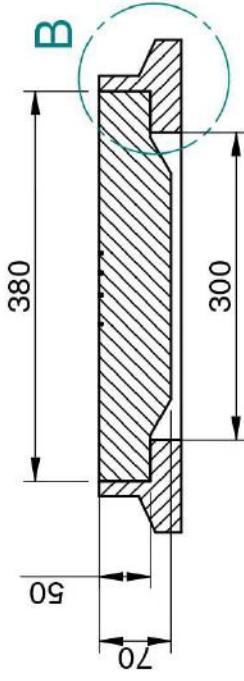
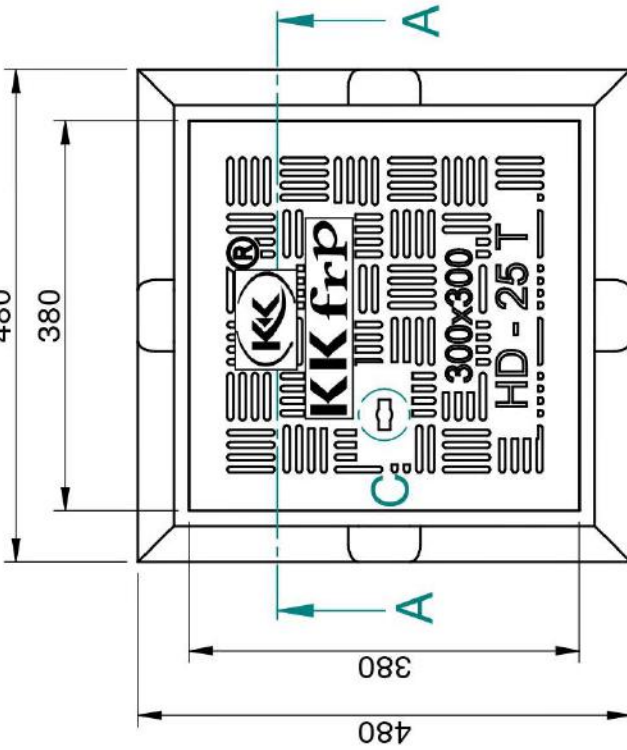
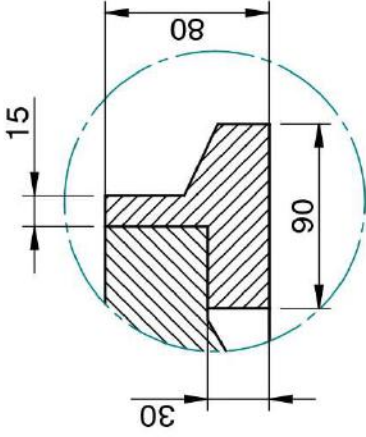
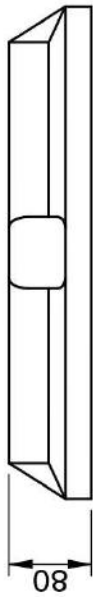


KK-FRP AND KONCRETE PRODUCTS PVT LTD

1114 Hubtown Solaris
Prof N.S Phadke Road, Andheri (E)
Mumbai-400 069
INDIA
Ph: +91 22 66913250 ,
Mob: +91 9822036550 / 9850089903 ,
email: info@kkfrp.com / kkmgnsk@gmail.com
Web: www.kkfrp.com

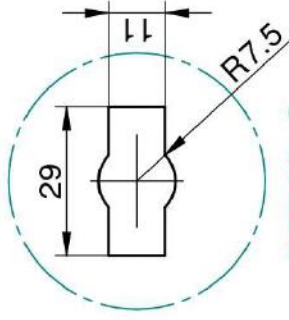


Specific Product Code/s:	MCHD07
Product Group:	KK-FRP FIBREGLASS COMPOSITE MANHOLE COVER & FRAME
Sub-Category:	Heavy Duty HD 25 T Cap. As per BSEN124:2015
Material Composition :	Unsaturated Polyester Resin UV Resistant ISO Grade, Emulsion Fibreglass Matt E Class, Accelerators, UV Resistant Pigment, Polymer Concrete in Quartz as Core,
Basic Dimensions (mm):	Clear Opening 300 x 300 mm Cover Size: 380 x 380 mm Cover Height: 50 mm Frame Size: 480 x 480 mm Frame Height: 80 mm
Weight (kgs):	Approx. 26 kg
Load Rating Classification:	C250 (25T)
Features:	<ul style="list-style-type: none">➤ FRP Manhole Cover & Frame C250 as per BSEN124.➤ Heavy duty design to cope with the demands of heavily traffic in Main Roads , carriageways , Parkings etc.➤ Key Holes 1nos with (SS Key optional) & Lifting device provided .➤ Choice of Colour Available.➤ Anti skid surface.➤ Waterproof, Weatherproof, Burglar proof , Non corrossive, High Strenght to Wt ratio, Easy of handing as Light wt , Heat Resistant, Shockproof .➤ Provision for Logo of Buyer.➤ Additional Provision of Gasket (O-Ring) 6 mm Dia & SS Nut Bolts with Washer to make Water Tight (Optional) .

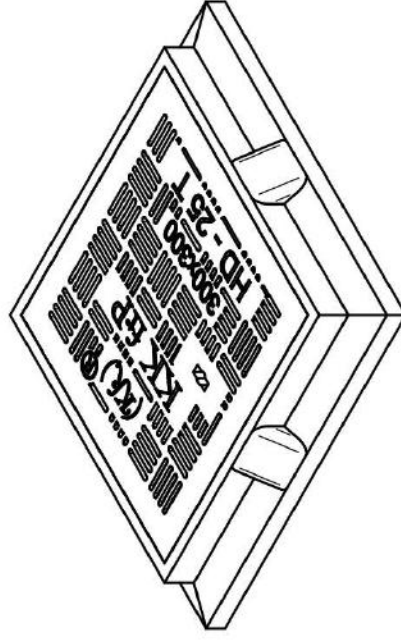


SECTION A-A

DETAIL B



**DETAIL C
KEY HOLE
FOR LIFTING**



- ① CLEAR OPENING = 300 X 300 MM
- ② OUTER FRAME SIZE = 480 X 480 X 80 MM
- ③ OUTER COVER SIZE = 380 X 380 X 50 MM
- ④ APPROX WEIGHT = 23 KG

NOTE:-

- 1. ALL DIMENSIONS ARE IN MM.
- 2. DIMENSIONAL TOLERANCE +/- 1%

	Scale: 1:1	Sheet No: 2 of 2	DRG. NO: MCHD-07-300x300 HD 25 T	
	Drawn: RJ Chkd: AB	DESCRIPTION: MCHD-07		

CONFIDENTIAL INFORMATION
(UNAUTHORISED DISCLOSURE PROHIBITED)