

# Technical Specification/ Product Datasheet



## KK-FRP AND KONCRETE PRODUCTS PVT LTD

1114 Hubtown Solaris  
Prof N.S Phadke Road, Andheri (E)  
Mumbai-400 069  
INDIA  
Ph: +91 22 66913250 ,  
Mob: +91 9822036550 / 9850089903 ,  
email: [info@kkfrp.com](mailto:info@kkfrp.com) / [kkmgnsk@gmail.com](mailto:kkmgnsk@gmail.com)  
Web: [www.kkfrp.com](http://www.kkfrp.com)



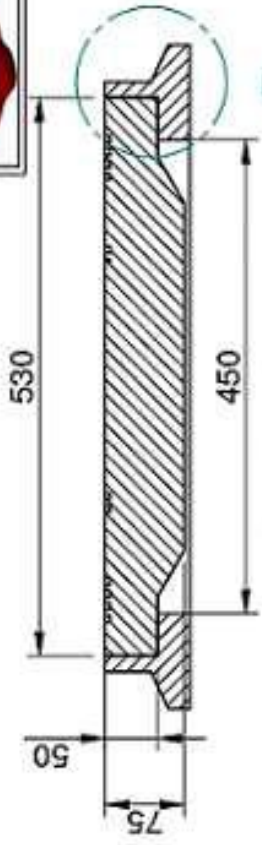
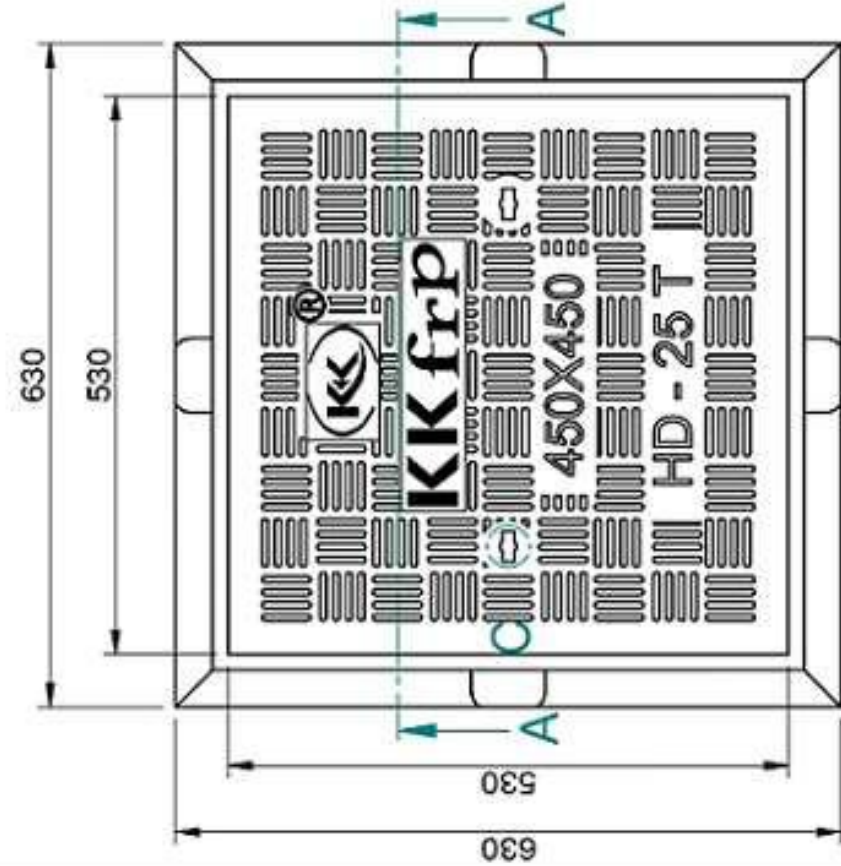
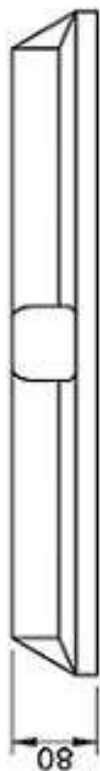
Specific Product Code/s:	MCHD08
Product Group:	KK-FRP FIBREGLASS COMPOSITE MANHOLE COVER & FRAME
Sub-Category:	Heavy Duty HD 25 T Cap. As per BSEN124:2015
Material Composition :	Unsaturated Polyester Resin UV Resistant ISO Grade, Emulsion Fibreglass Matt E Class, Accelerators, UV Resistant Pigment, Polymer Concrete in Quartz as Core,

Basic Dimensions (mm):	Clear Opening	450 x 450 mm
	Cover Size:	530 x 530 mm
	Cover Height:	50 mm
	Frame Size:	630 x 630 mm
	Frame Height:	80 mm

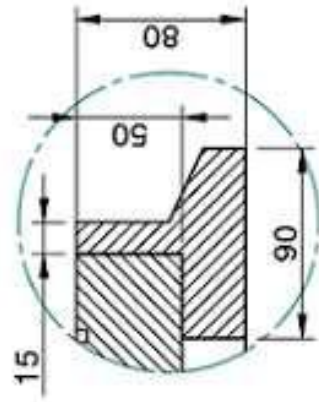
Weight (kgs): Approx. 45kg

Load Rating Classification: C250 (25T)

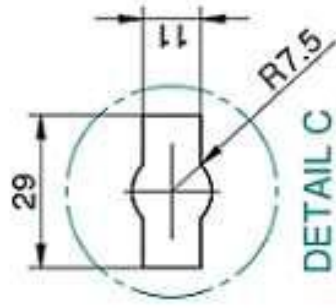
- Features:
- FRP Manhole Cover & Frame C250 as per BSEN124.
  - Heavy duty design to cope with the demands of heavily traffic in Main Roads , carriageways , Parkings etc.
  - Key Holes 2nos with **(SS Key optional)** & Lifting device provided .
  - Choice of Colour Available.
  - Anti skid surface.
  - Waterproof, Weatherproof, Burglar proof , Non corrossive, High Strenght to Wt ratio, Easy of handing as Light wt , Heat Resistant, Shockproof .
  - Provision for Logo of Buyer.
  - Additional Provision of Gasket (O-Ring) 6 mm Dia & SS Nut Bolts with Washer to make Water Tight **(Optional)** .



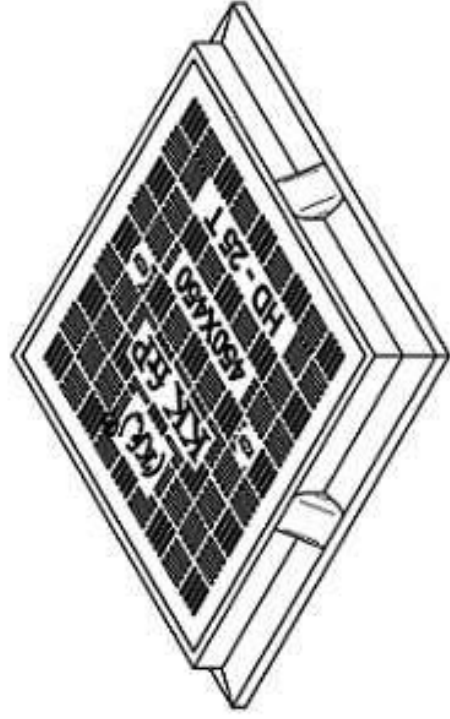
SECTION A-A D



DETAIL D



DETAIL C  
KEY HOLE  
FOR LIFTING



- ① CLEAR OPENING = 450 X 450 MM
- ② OUTER FRAME SIZE = 630 X 630 X 80 MM
- ③ OUTER COVER SIZE = 530 X 530 X 50 MM
- ④ APPROX WEIGHT = 41 KG

	Drawn	Checked	Scale	Proposed
	RJ	AB	1:5	
DESCRIPTION:		Sheet No.	EPG NO.	
MCHD-08		2 of 2	MCHD-08-450x450	
			HD 25 T	

CONFIDENTIAL INFORMATION  
(UNAUTHORISED DISCLOSURE PROHIBITED)

**KK frp**

NOTE:-  
1. ALL DIMENSIONS ARE IN MM.  
2. DIMENSIONAL TOLERANCE +/- 1%