

# Technical Specification/ Product Datasheet



## KK-FRP AND KONCRETE PRODUCTS PVT LTD

1114 Hubtown Solaris  
Prof N.S Phadke Road, Andheri (E)  
Mumbai-400 069  
INDIA  
Ph: +91 22 66913250 ,  
Mob: +91 9822036550 / 9850089903 ,  
email: [info@kkfrp.com](mailto:info@kkfrp.com) / [kkmgnsk@gmail.com](mailto:kkmgnsk@gmail.com)  
Web: [www.kkfrp.com](http://www.kkfrp.com)



Specific Product Code/s: MCHD09  
Product Group: KK-FRP FIBREGLASS COMPOSITE MANHOLE COVER & FRAME

Sub-Category: Heavy Duty HD 25 T Cap. As per BSEN124:2015

Material Composition : Unsaturated Polyester Resin UV Resistant ISO Grade, Emulsion Fibreglass Matt E Class, Accelerators, UV Resistant Pigment, Polymer Concrete in Quartz as Core,

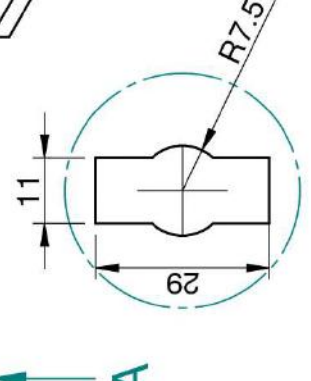
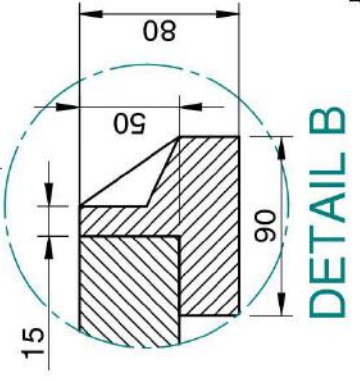
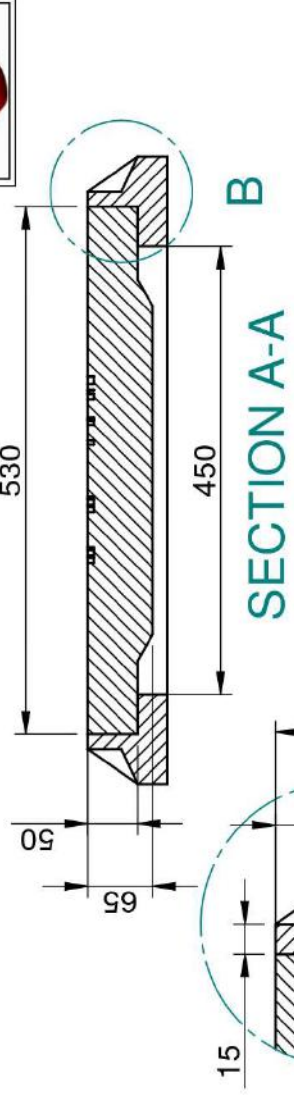
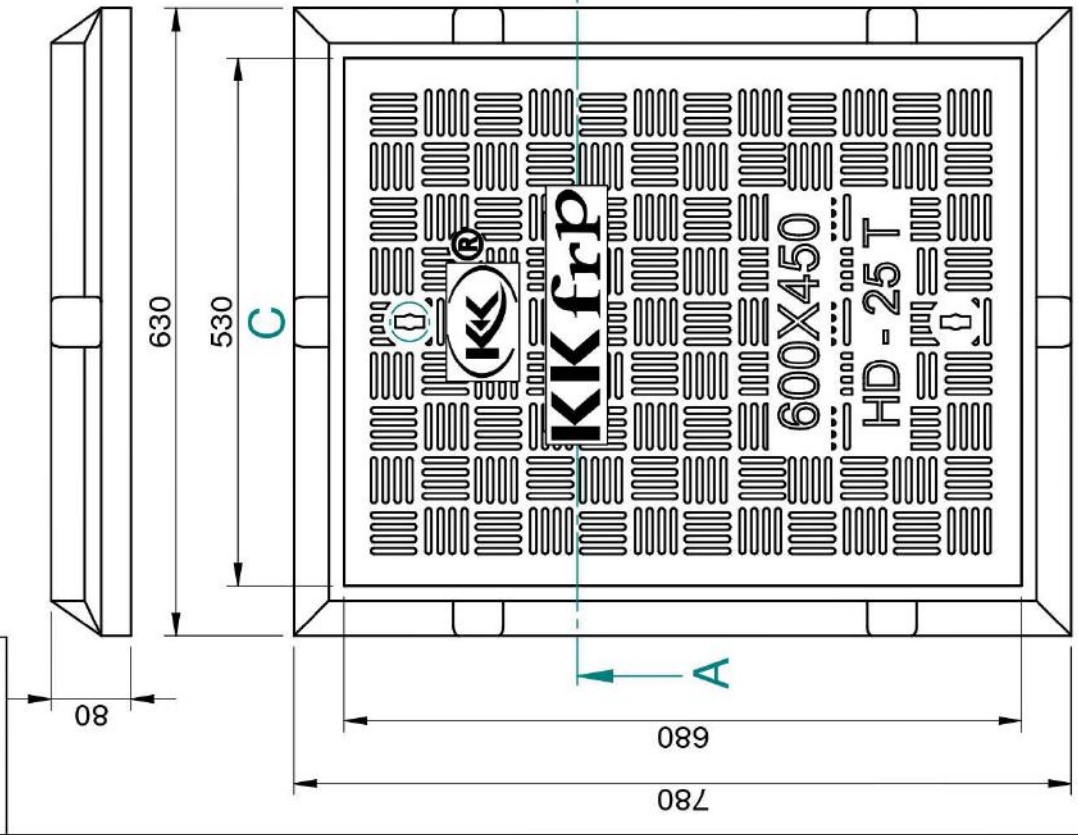
Basic Dimensions (mm):  
Clear Opening 450 x 600 mm  
Cover Size: 530 x 680 mm  
Cover Height: 50 mm  
Frame Size: 630 x 780 mm  
Frame Height: 80 mm

Weight (kgs): Approx. 56 kg

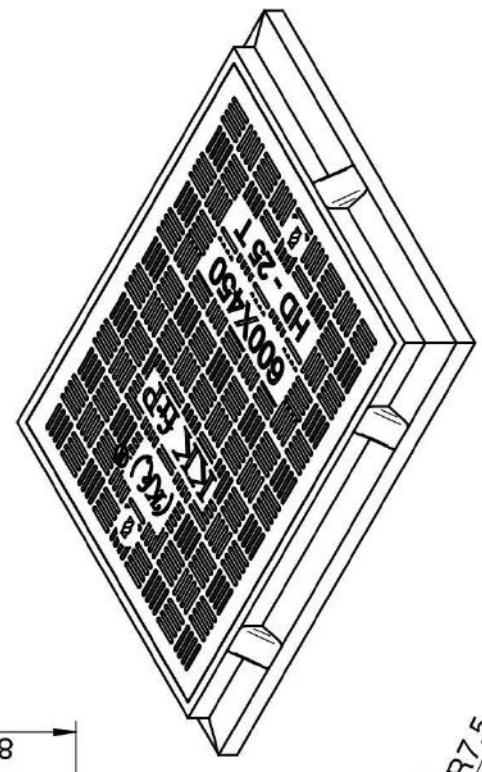
Load Rating Classification: C250 (25T)

Features:

- FRP Manhole Cover & Frame C250 as per BSEN124.
- Heavy duty design to cope with the demands of heavily traffic in Main Roads , carriageways , Parkings etc.
- Key Holes 2nos with **(SS Key optional)** & Lifting device provided .
- Choice of Colour Available.
- Anti skid surface.
- Waterproof, Weatherproof, Burglar proof , Non corrossive, High Strenght to Wt ratio, Easy of handing as Light wt , Heat Resistant, Shockproof .
- Provision for Logo of Buyer.
- Additional Provision of Gasket (O-Ring) 6 mm Dia & SS Nut Bolts with Washer to make Water Tight **(Optional)** .



**DETAIL C  
KEY HOLE  
FOR LIFTING**



- ① CLEAR OPENING = 600 x 450 MM
- ② OUTER FRAME SIZE = 780 x 630 x 80 MM
- ③ OUTER COVER SIZE = 680 x 530 x 50 MM
- ④ APPROX WEIGHT = 53 KG

	Drawn	RJ	Checked	AB	Scale:	1:5	Projection:	
	DESCRIPTION:		MCHD-09		Sheet No.	2 of 2		DRG. NO.

CONFIDENTIAL INFORMATION  
(UNAUTHORISED DISCLOSURE PROHIBITED)

**KK frp**

**NOTE:-**  
1. ALL DIMENSIONS ARE IN MM.  
2. DIMENSIONAL TOLERANCE +/- 1%