

# Technical Specification/ Product Datasheet

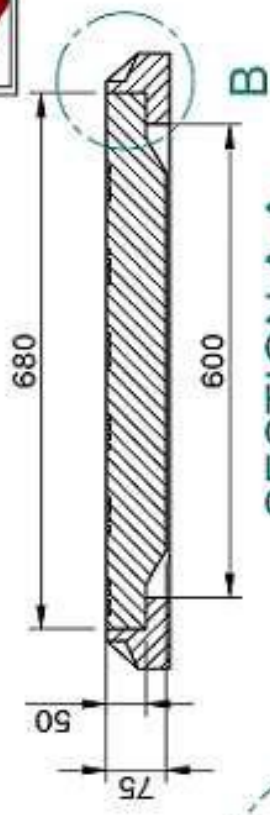
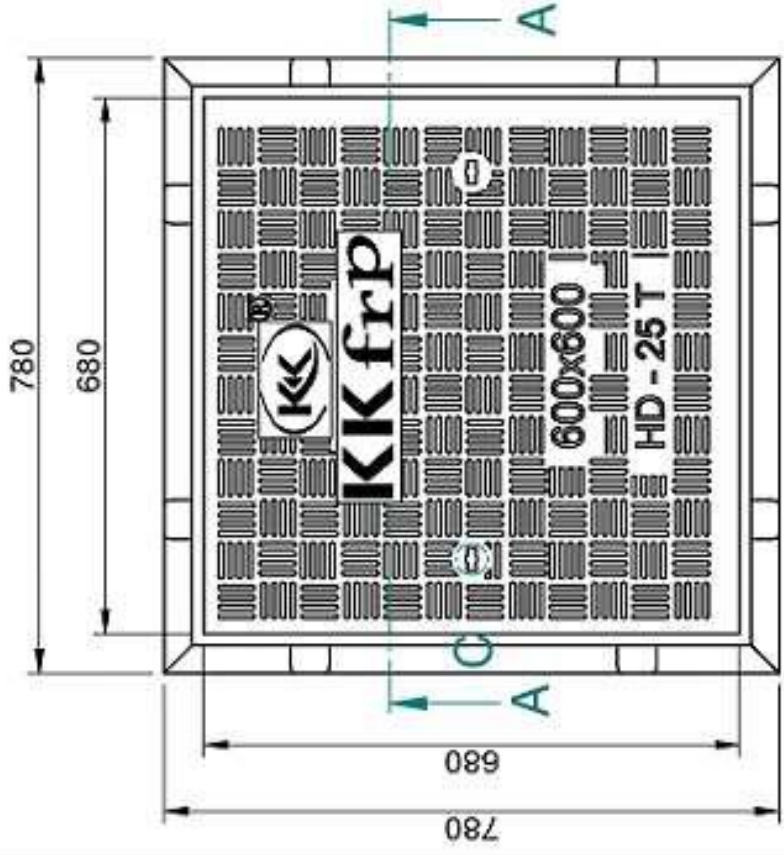
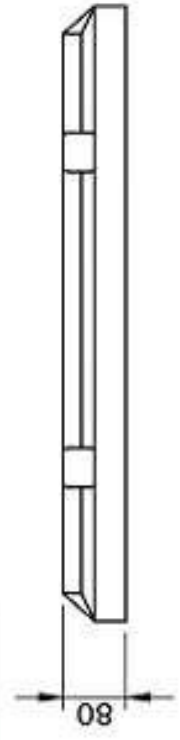


## KK-FRP AND KONCRETE PRODUCTS PVT LTD

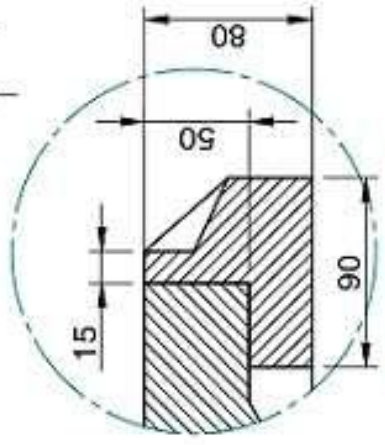
1114 Hubtown Solaris  
Prof N.S Phadke Road, Andheri (E)  
Mumbai-400 069  
INDIA  
Ph: +91 22 66913250 ,  
Mob: +91 9822036550 / 9850089903 ,  
email: [info@kkfrp.com](mailto:info@kkfrp.com) / [kkmngsk@gmail.com](mailto:kkmngsk@gmail.com)  
Web: [www.kkfrp.com](http://www.kkfrp.com)



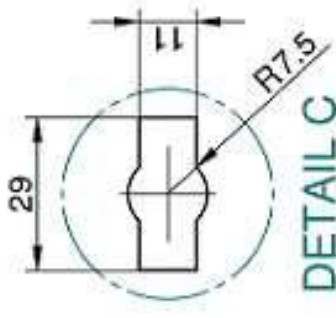
Specific Product Code/s:	MCHD10
Product Group:	KK-FRP FIBREGLASS COMPOSITE MANHOLE COVER & FRAME
Sub-Category:	Heavy Duty HD 25 T Cap. As per BSEN124:2015
Material Composition :	Unsaturated Polyester Resin UV Resistant ISO Grade, Emulsion Fibreglass Matt E Class, Accelerators, UV Resistant Pigment, Polymer Concrete in Quartz as Core,
Basic Dimensions (mm):	Clear Opening 600 x 600 mm Cover Size: 680 x 680 mm Cover Height: 50 mm Frame Size: 780 x 780 mm Frame Height: 80 mm
Weight (kgs):	Approx. 69 kg
Load Rating Classification:	C250 (25T)
Features:	<ul style="list-style-type: none"><li>➤ FRP Manhole Cover &amp; Frame C250 as per BSEN124.</li><li>➤ Heavy duty design to cope with the demands of heavily traffic in Main Roads , carriageways , Parkings etc.</li><li>➤ Key Holes 2nos with <b>(SS Key optional)</b> &amp; Lifting device provided .</li><li>➤ Choice of Colour Available.</li><li>➤ Anti skid surface.</li><li>➤ Waterproof, Weatherproof, Burglar proof , Non corrossive, High Strenght to Wt ratio, Easy of handing as Light wt , Heat Resistant, Shockproof .</li><li>➤ Provision for Logo of Buyer.</li><li>➤ Additional Provision of Gasket (O-Ring) 6 mm Dia &amp; SS Nut Bolts with Washer to make Water Tight <b>(Optional)</b> .</li></ul>



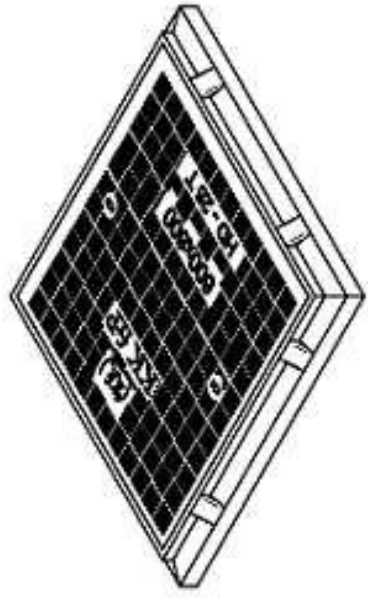
SECTION A-A



DETAIL B



DETAIL C  
KEY HOLE  
FOR LIFTING



- ① CLEAR OPENING = 600 x 600 MM
- ② OUTER FRAME SIZE = 780 x 780 x 80 MM
- ③ OUTER COVER SIZE = 680 x 680 x 50 MM
- ④ APPROX WEIGHT = 69 KG

	Drawn	Checked	Scale	Revision No
	RJ	AB	1:5	2 of 2
DESCRIPTION:		MCHD-10		
DRG. NO.		MCHD-10-600x600		
Sheet No		25 T		

CONFIDENTIAL INFORMATION  
(UNAUTHORISED DISCLOSURE PROHIBITED)

**KK frp**

NOTE:-  
1. ALL DIMENSIONS ARE IN MM.  
2. DIMENSIONAL TOLERANCE +/- 1%