

Technical Specification/ Product Datasheet

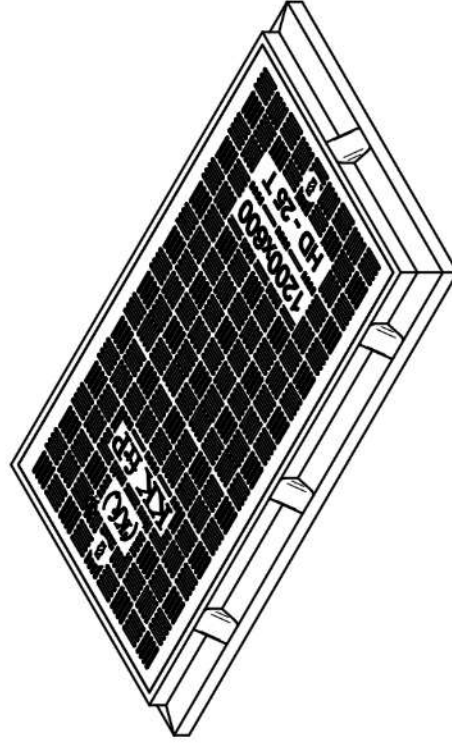
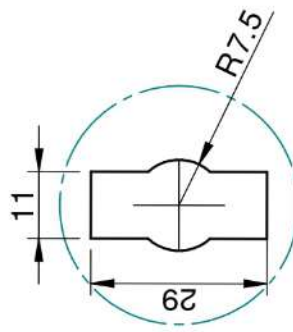
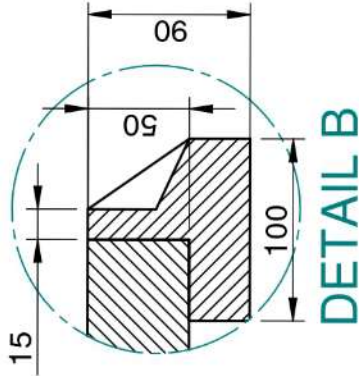
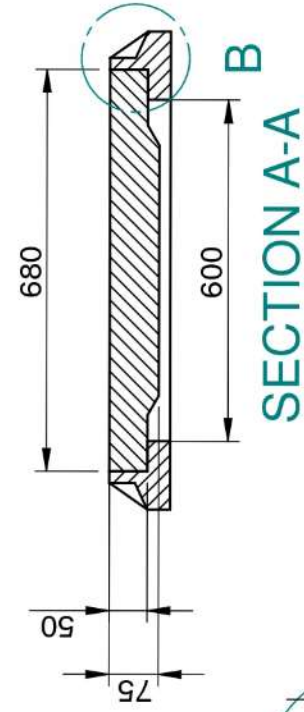
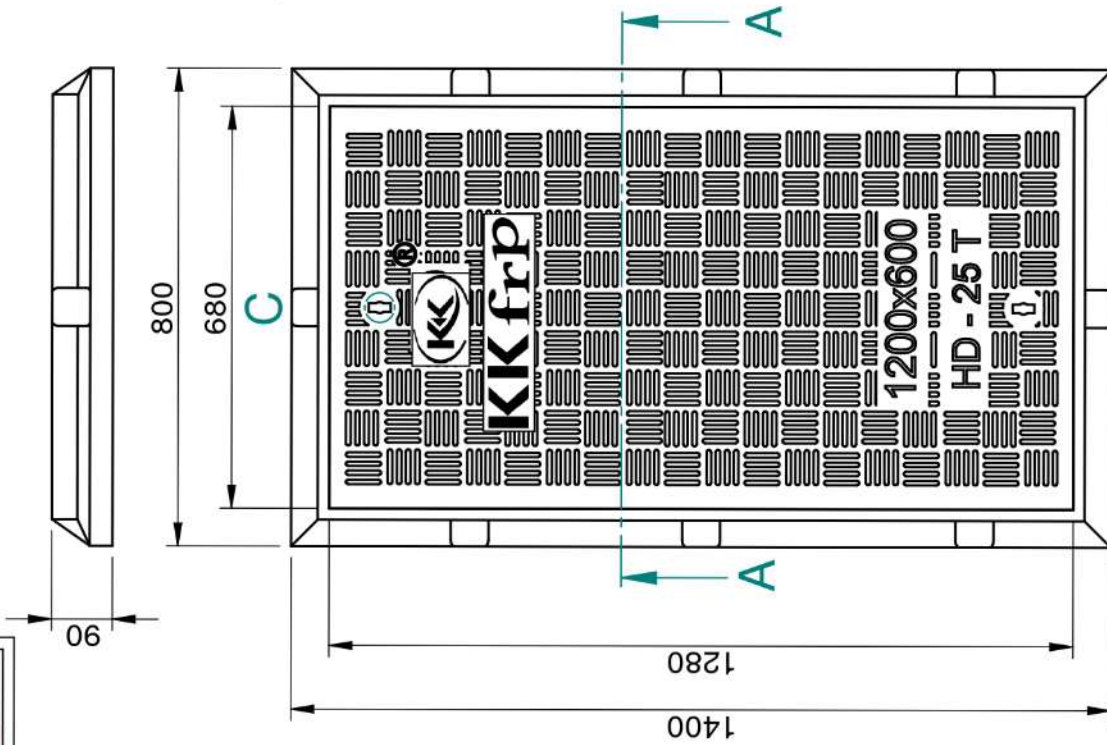


KK-FRP AND KONCRETE PRODUCTS PVT LTD

1114 Hubtown Solaris
Prof N.S Phadke Road, Andheri (E)
Mumbai-400 069
INDIA
Ph: +91 22 66913250 ,
Mob: +91 9822036550 / 9850089903 ,
email: info@kkfrp.com / kkmgnsk@gmail.com
Web: www.kkfrp.com



Specific Product Code/s:	MCHD18
Product Group:	KK-FRP FIBREGLASS COMPOSITE MANHOLE COVER & FRAME
Sub-Category:	Heavy Duty HD 25 T Cap. As per BSEN124:2015
Material Composition :	Unsaturated Polyester Resin UV Resistant ISO Grade, Emulsion Fibreglass Matt E Class, Accelerators, UV Resistant Pigment, Polymer Concrete in Quartz as Core,
Basic Dimensions (mm):	Clear Opening 1200 x 600 mm Cover Size: 1280 x 680 mm Cover Height: 50 mm Frame Size: 1400 x 800 mm Frame Height: 90 mm
Weight (kgs):	Approx. 150 kg
Load Rating Classification:	C250 (25T)
Features:	<ul style="list-style-type: none">➤ FRP Manhole Cover & Frame C250 as per BSEN124.➤ Heavy duty design to cope with the demands of heavily traffic in Main Roads , carriageways , Parkings etc.➤ Key Holes 4nos with (SS Key optional) & Lifting device provided .➤ Choice of Colour Available.➤ Anti skid surface.➤ Waterproof, Weatherproof, Burglar proof , Non corrossive, High Strenght to Wt ratio, Easy of handing as Light wt , Heat Resistant, Shockproof .➤ Provision for Logo of Buyer.➤ Additional Provision of Gasket (O-Ring) 6 mm Dia & SS Nut Bolts with Washer to make Water Tight (Optional) .



- ① CLEAR OPENING = 1200 x 600 MM
- ② OUTER FRAME SIZE = 1400 x 800x 90 MM
- ③ OUTER COVER SIZE = 1280 x 680 x 50 MM
- ④ APPROX WEIGHT = 123 KG

	Drawn	RJ	Checked	AB	Scale:	1:5	Projection:	
	DESCRIPTION:		MCHD-18		Sheet No.	2 of 2	DRG. NO.	MCHD-18-1200x600 25 T

CONFIDENTIAL INFORMATION
(UNAUTHORISED DISCLOSURE PROHIBITED)

KK frp

NOTE:-
1. ALL DIMENSIONS ARE IN MM.
2. DIMENSIONAL TOLERANCE +/- 1%