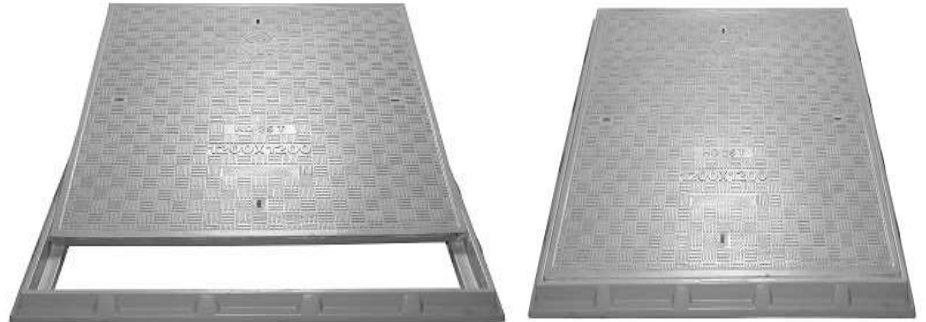


# Technical Specification/ Product Datasheet



## KK-FRP AND KONCRETE PRODUCTS PVT LTD

1114 Hubtown Solaris  
Prof N.S Phadke Road,Andheri (E)  
Mumbai-400 069  
INDIA  
Ph: +91 22 66913250 ,  
Mob: +91 9822036550 / 9850089903 ,  
email: [info@kkfrp.com](mailto:info@kkfrp.com) / [kkmgnsk@gmail.com](mailto:kkmgnsk@gmail.com)  
Web: [www.kkfrp.com](http://www.kkfrp.com)



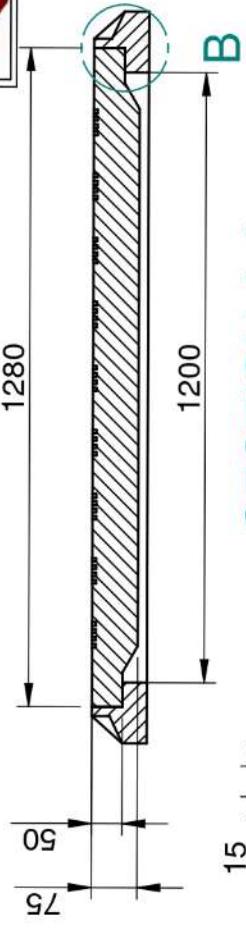
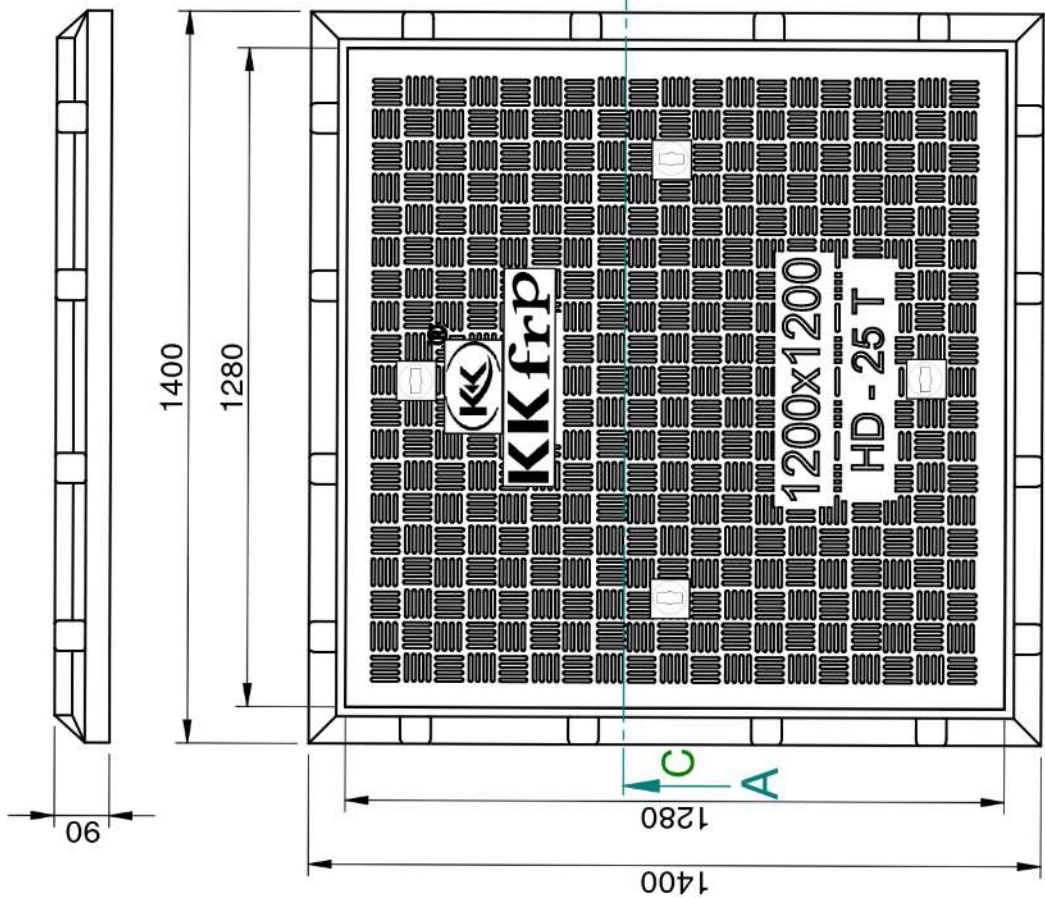
Specific Product Code/s:	MCHD20
Product Group:	KK-FRP FIBREGLASS COMPOSITE MANHOLE COVER & FRAME
Sub-Category:	Heavy Duty HD 25 T Cap. As per BSEN124:2015
Material Composition :	Unsaturated Polyester Resin UV Resistant ISO Grade, Emulsion Fibreglass Matt E Class, Accelerators, UV Resistant Pigment, Polymer Concrete in Quartz as Core,

Basic Dimensions (mm):	Clear Opening	1200 x 1200 mm
	Cover Size:	1280 x 1280 mm
	Cover Height:	50 mm
	Frame Size:	1400 x 1400 mm
	Frame Height:	90 mm

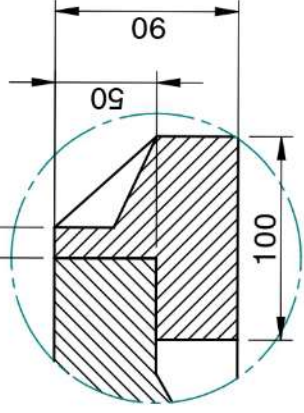
Weight (kgs): Approx. 255 kg

Load Rating Classification: C250 (25T)

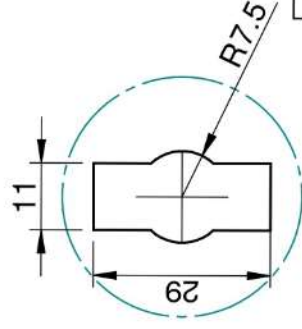
- Features:
- FRP Manhole Cover & Frame C250 as per BSEN124.
  - Heavy duty design to cope with the demands of heavily traffic in Main Roads , carriageways , Parkings etc.
  - Key Holes 4nos with **(SS Key optional)** & Lifting device provided .
  - Choice of Colour Available.
  - Anti skid surface.
  - Waterproof, Weatherproof, Burglar proof , Non corrossive, High Strenght to Wt ratio, Easy of handing as Light wt , Heat Resistant, Shockproof .
  - Provision for Logo of Buyer.
  - Additional Provision of Gasket (O-Ring) 6 mm Dia & SS Nut Bolts with Washer to make Water Tight **(Optional)** .



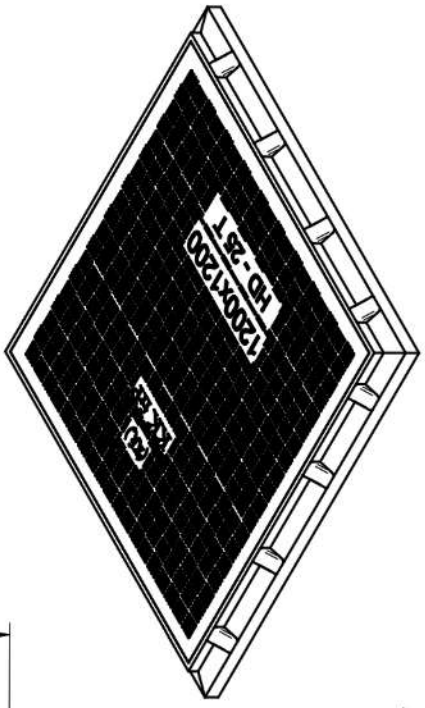
**SECTION A-A**



**DETAIL B**



**DETAIL C  
KEY HOLE  
FOR LIFTING**



- ① CLEAR OPENING = 1200 x 1200 MM
- ② OUTER FRAME SIZE = 1400 x 1400 x 90 MM
- ③ OUTER COVER SIZE = 1280 x 1280 x 50 MM
- ④ APPROX WEIGHT = 237 KG

	Drawn	RJ	Ched	AB	Projection:	
	Scale:	1:5				
DESCRIPTION:			MCHD-20	Sheet No.	2 OF 2	DRG. NO.
						MCHD-20-1200x1200 25 T

**KK frp**

CONFIDENTIAL INFORMATION  
(UNAUTHORISED DISCLOSURE PROHIBITED)

**NOTE:-**  
 1. ALL DIMENSIONS ARE IN MM.  
 2. DIMENSIONAL TOLERANCE +/- 1%