

# Technical Specification/ Product Datasheet



## KK-FRP AND KONCRETE PRODUCTS PVT LTD

1114 Hubtown Solaris  
Prof N.S Phadke Road, Andheri (E)  
Mumbai-400 069  
INDIA  
Ph: +91 22 66913250 ,  
Mob: +91 9822036550 / 9850089903 ,  
email: [info@kkfrp.com](mailto:info@kkfrp.com) / [kkmgnsk@gmail.com](mailto:kkmgnsk@gmail.com)  
Web: [www.kkfrp.com](http://www.kkfrp.com)

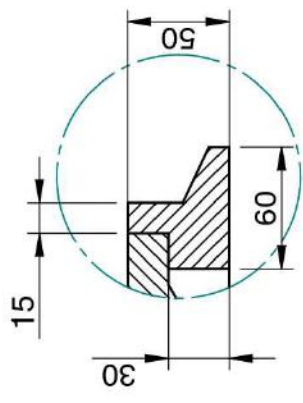
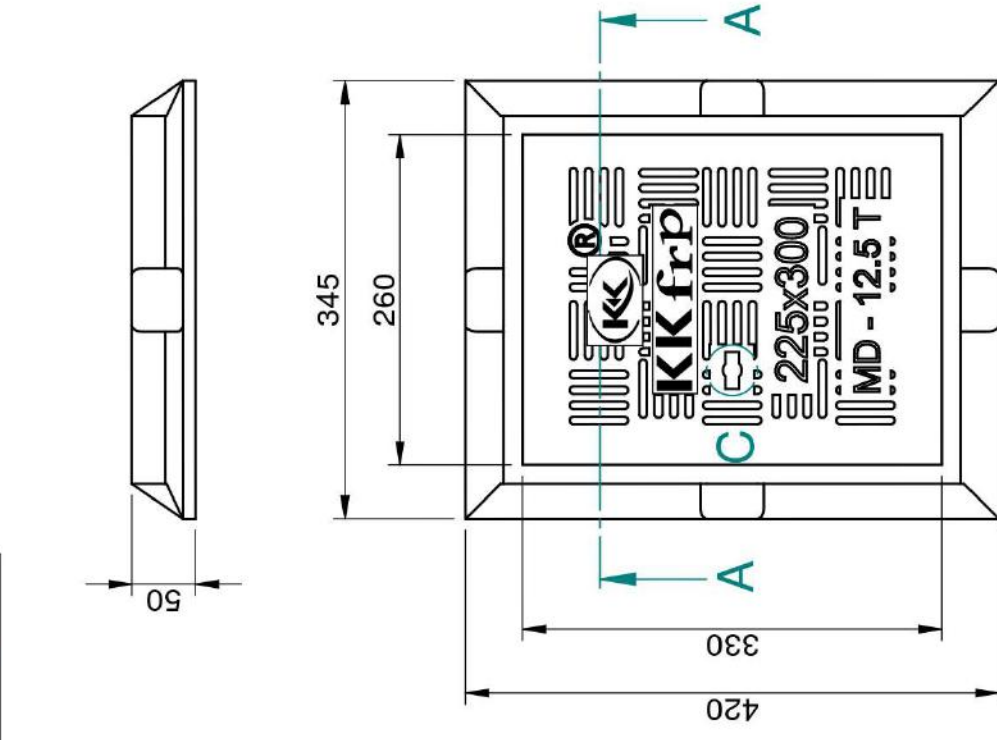
Specific Product Code/s:	MCMD06
Product Group:	KK-FRP FIBREGLASS COMPOSITE MANHOLE COVER & FRAME
Sub-Category:	Medium Duty MD 12.5 T Cap. As per BSEN124:2015
Material Composition :	Unsaturated Polyester Resin UV Resistant ISO Grade, Emulsion Fibreglass Matt E Class, Accelerators, UV Resistant Pigment, Polymer Concrete in Quartz as Core,

Basic Dimensions (mm):	Clear Opening	225 x 300 mm
	Cover Size:	260 x 330 mm
	Cover Height:	20 mm
	Frame Size:	345 x 420 mm
	Frame Height:	50 mm

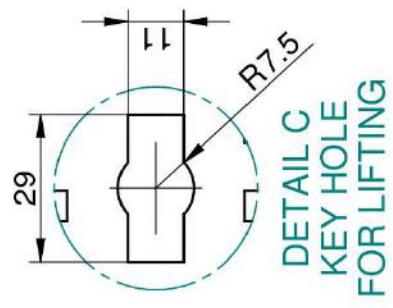
Weight (kgs): Approx. 11 kg

Load Rating Classification: B125 (12.5T)

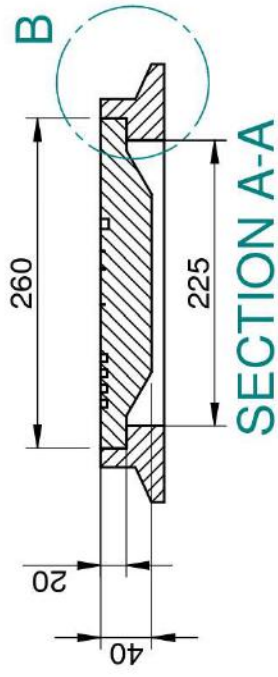
- Features:
- FRP Manhole Cover & Frame B125 as per BSEN124.
  - Medium duty design to cope with the demands of Medium duty traffic in car parking of residential, commercial areas , Roads , carriageways, etc.
  - Key Holes 1nos with **(SS Key optional)** & Lifting device provided .
  - Choice of Colour Available.
  - Anti skid surface.
  - Waterproof, Weatherproof, Burglar proof, Non corrosive, High Strength to Wt ratio, Easy of handing as Light wt , Heat Resistant, Shockproof .
  - Provision for Logo of Buyer.
  - Additional Provision of Gasket (O-Ring) 6 mm Dia & SS Nut Bolts



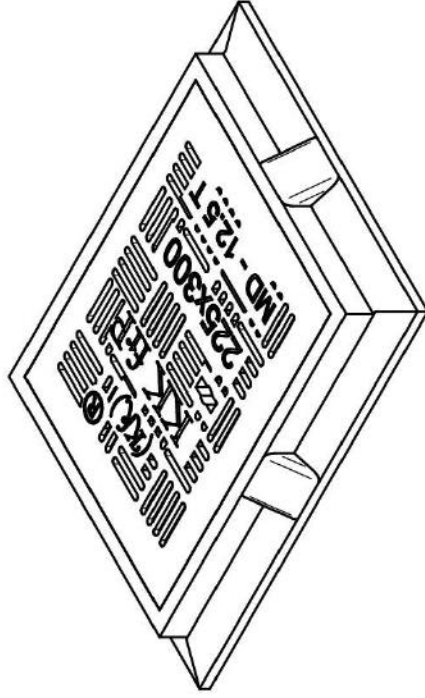
**DETAIL B**



**DETAIL C  
KEY HOLE  
FOR LIFTING**



**SECTION A-A**



- ① CLEAR OPENING = 225 X 300 MM
- ② OUTER FRAME SIZE = 345 X 420 X 50 MM
- ③ OUTER COVER SIZE = 260 X 330 X 20 MM
- ④ APPROX WEIGHT = 11 KG

	Drawn	RJ	Chkd	AB	Projection	
	Scale:	1:5				
DESCRIPTION:			MCMD-06		Sheet No.	2 OF 2
DRG. NO.			MCMD-06-225x300		MD 12.5 T	

**NOTE:-**  
 1. ALL DIMENSIONS ARE IN MM.  
 2. DIMENSIONAL TOLERANCE +/- 1%

CONFIDENTIAL INFORMATION  
 (UNAUTHORISED DISCLOSURE PROHIBITED)



ALL DIMENSIONS ARE IN MM