

Technical Specification/ Product Datasheet



KK-FRP AND KONCRETE PRODUCTS PVT LTD

1114 Hubtown Solaris
Prof N.S Phadke Road, Andheri (E)
Mumbai-400 069
INDIA
Ph: +91 22 66913250 ,
Mob: +91 9822036550 / 9850089903 ,
email: info@kkfrp.com / kkmgnsk@gmail.com
Web: www.kkfrp.com



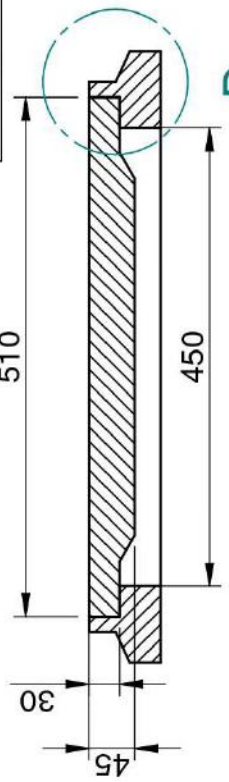
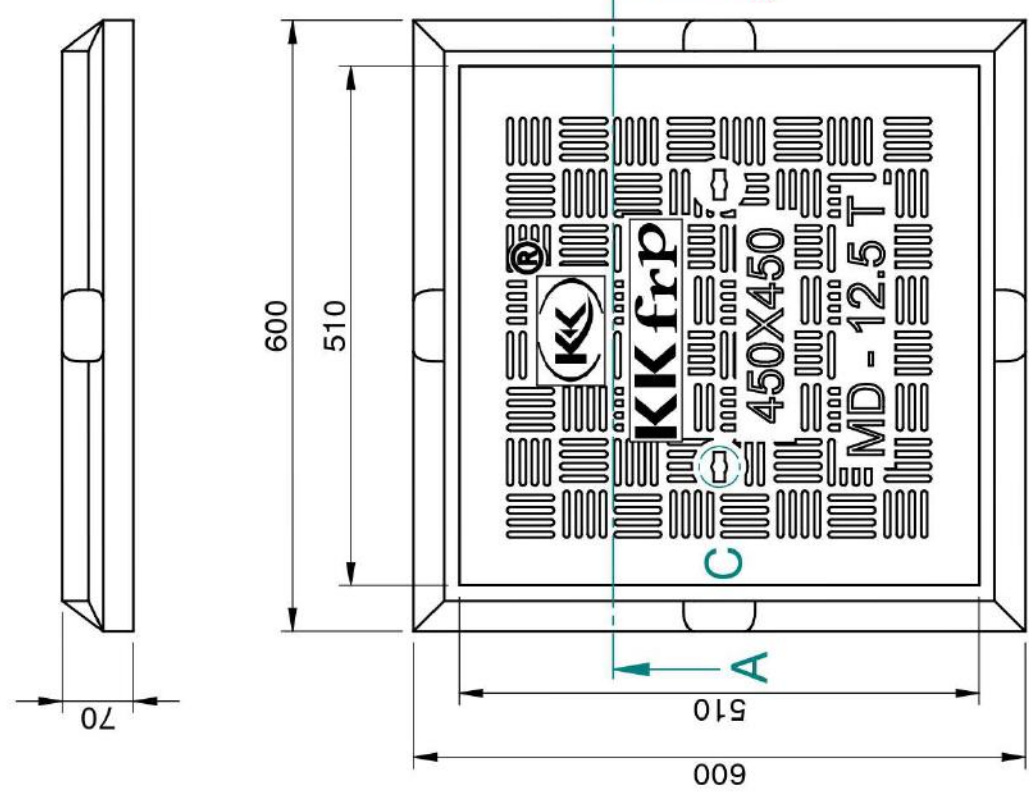
Specific Product Code/s:	MCMD08
Product Group:	KK-FRP FIBREGLASS COMPOSITE MANHOLE COVER & FRAME
Sub-Category:	Medium Duty MD 12.5 T Cap. As per BSEN124:2015
Material Composition :	Unsaturated Polyester Resin UV Resistant ISO Grade, Emulsion Fibreglass Matt E Class, Accelerators, UV Resistant Pigment, Polymer Concrete in Quartz as Core,

Basic Dimensions (mm):	Clear Opening	450 x 450 mm
	Cover Size:	510 x 510 mm
	Cover Height:	30 mm
	Frame Size:	600 x 600 mm
	Frame Height:	70 mm

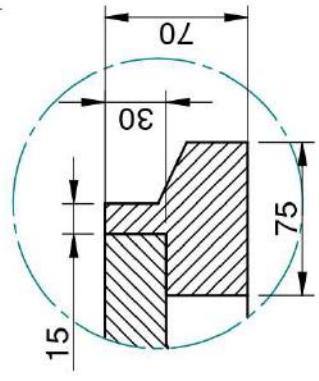
Weight (kgs): Approx. 29 kg

Load Rating Classification: MD-12.5T

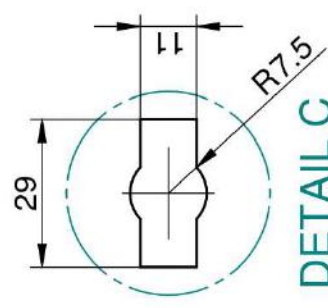
- Features:
- FRP Manhole Cover & Frame MD-12.5 as per BSEN124.
 - Medium duty design to cope with the demands of Medium duty traffic in car parking of residential, commercial areas , Roads , carriageways, etc.
 - Key Holes 2nos with **(SS Key optional)** & Lifting device provided .
 - Choice of Colour Available , Standard Colour Light Grey .
 - Anti skid surface.
 - Waterproof, Weatherproof, Burglar proof, Non corrosive, High Strength to Wt ratio, Easy of handing as Light wt , Heat Resistant, Shockproof .
 - Provision for Logo of Buyer.
 - Additional Provision of Gasket (O-Ring) 6 mm Dia & SS Nut Bolts



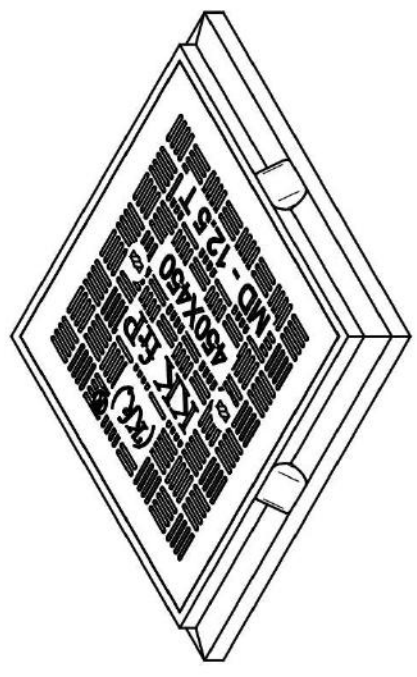
SECTION A-A



DETAIL D



**DETAIL C
KEY HOLE
FOR LIFTING**



- ① CLEAR OPENING = 450 x 450 MM
- ② OUTER FRAME SIZE = 600 x 600 x 70 MM
- ③ OUTER COVER SIZE = 510 x 510 x 30 MM
- ④ APPROX WEIGHT = 29 KG

	Drawn	Ched	Projection:
	RJ	AB	
DESCRIPTION:		SCALE:	DRG. NO.
MCMD-08		1:5	MCMD-08-450x450
Sheet No.		MD 12.5 T	
2 of 2			

CONFIDENTIAL INFORMATION
(UNAUTHORISED DISCLOSURE PROHIBITED)



NOTE:-
1. ALL DIMENSIONS ARE IN MM.
2. DIMENSIONAL TOLERANCE +/- 1%