

Technical Specification/ Product Datasheet

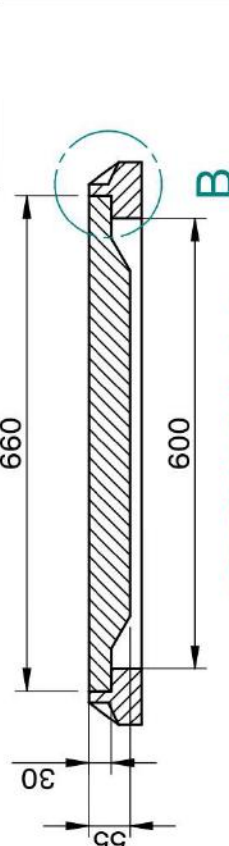


KK-FRP AND KONCRETE PRODUCTS PVT LTD

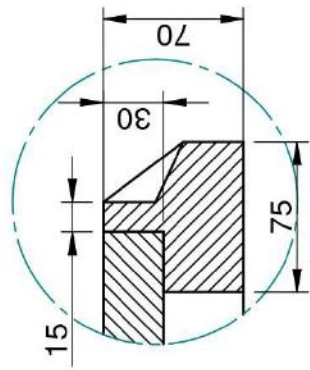
1114 Hubtown Solaris
Prof N.S Phadke Road, Andheri (E)
Mumbai-400 069
INDIA
Ph: +91 22 66913250 ,
Mob: +91 9822036550 / 9850089903 ,
email: info@kkfrp.com / kkmgnsk@gmail.com
Web: www.kkfrp.com



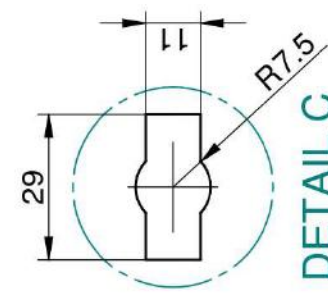
Specific Product Code/s:	MCMD10
Product Group:	KK-FRP FIBREGLASS COMPOSITE MANHOLE COVER & FRAME
Sub-Category:	Medium Duty MD 12.5 T Cap. As per BSEN124:2015
Material Composition :	Unsaturated Polyester Resin UV Resistant ISO Grade, Emulsion Fibreglass Matt E Class, Accelerators, UV Resistant Pigment, Polymer Concrete in Quartz as Core,
Basic Dimensions (mm):	Clear Opening 600 x 600 mm Cover Size: 660 x 660 mm Cover Height: 30 mm Frame Size: 750 x 750 mm Frame Height: 70 mm
Weight (kgs):	Approx. 49 kg
Load Rating Classification:	MD-12.5T
Features:	<ul style="list-style-type: none">➤ FRP Manhole Cover & Frame MD-12.5 as per BSEN124.➤ Medium duty design to cope with the demands of Medium duty traffic in car parking of residential, commercial areas , Roads , carriageways, etc.➤ Key Holes 2nos with (SS Key optional) & Lifting device provided .➤ Choice of Colour Available, Standard Colour Light Grey .➤ Anti skid surface.➤ Waterproof, Weatherproof, Burglar proof, Non corrosive, High Strength to Wt ratio, Easy of handing as Light wt , Heat Resistant, Shockproof .➤ Provision for Logo of Buyer.➤ Additional Provision of Gasket (O-Ring) 6 mm Dia & SS Nut Bolts



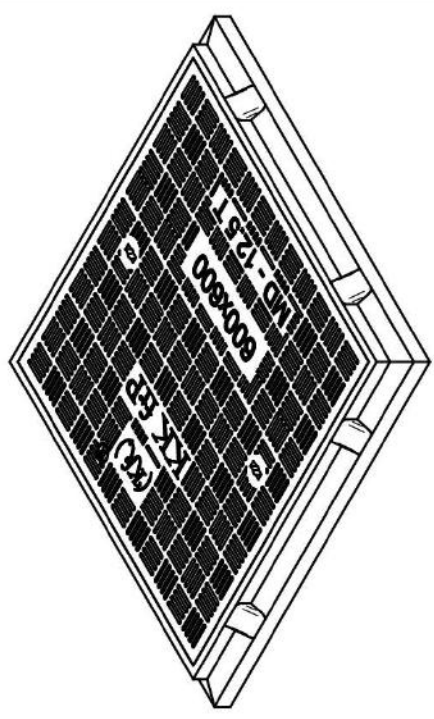
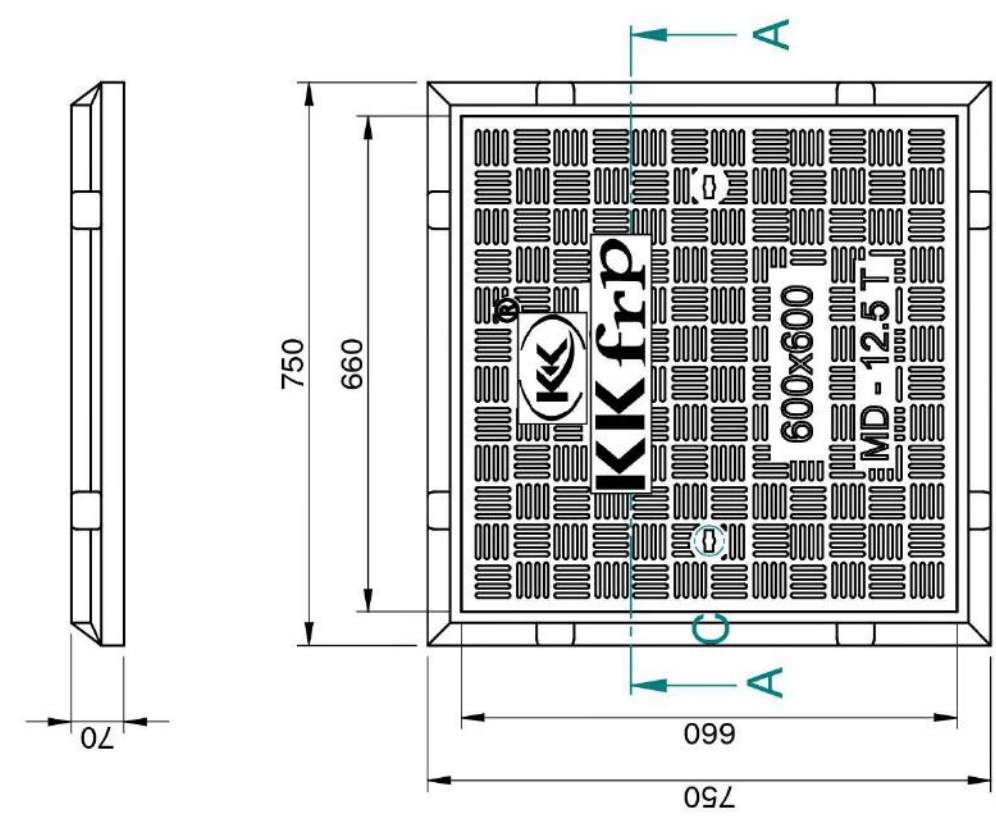
SECTION A-A



DETAIL B



DETAIL C
KEY HOLE
FOR LIFTING



- ① CLEAR OPENING = 600 x 600 MM
- ② OUTER FRAME SIZE = 750 x 750 x 70 MM
- ③ OUTER COVER SIZE = 660 x 660 x 30 MM
- ④ APPROX WEIGHT = 47 KG

	Drawn	Chod	Projection
	RJ	AB	
DESCRIPTION:		Sheet No.	DRG. NO.
MCMD-10		2 of 2	MCMD-10-600x600 12.5 T

CONFIDENTIAL INFORMATION
(UNAUTHORISED DISCLOSURE PROHIBITED)

KK frp

NOTE:-
1. ALL DIMENSIONS ARE IN MM.
2. DIMENSIONAL TOLERANCE +/- 1%