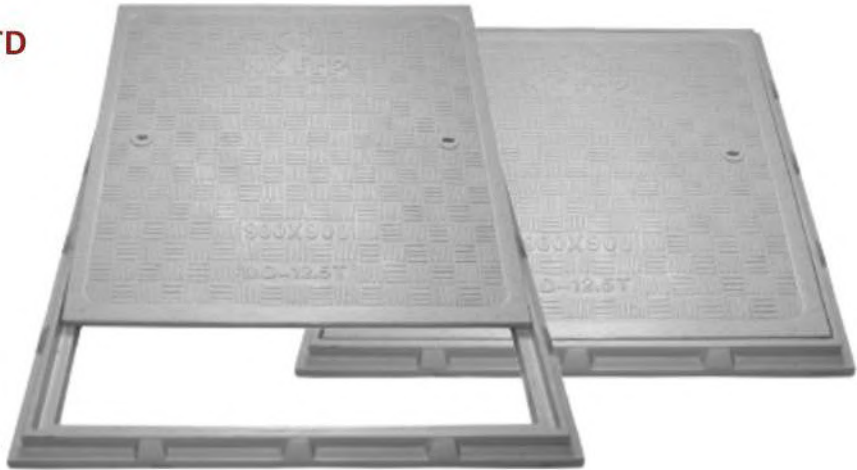


# Technical Specification/ Product Datasheet



## KK-FRP AND KONCRETE PRODUCTS PVT LTD

1114 Hubtown Solaris  
Prof N.S Phadke Road, Andheri (E)  
Mumbai-400 069  
INDIA  
Ph: +91 22 66913250 ,  
Mob: +91 9822036550 / 9850089903 ,  
email: [info@kkfrp.com](mailto:info@kkfrp.com) / [kkmgnsk@gmail.com](mailto:kkmgnsk@gmail.com)  
Web: [www.kkfrp.com](http://www.kkfrp.com)



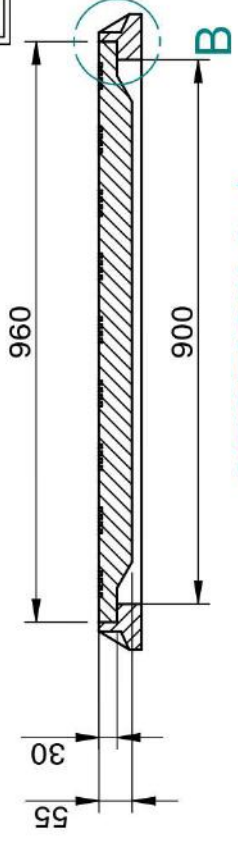
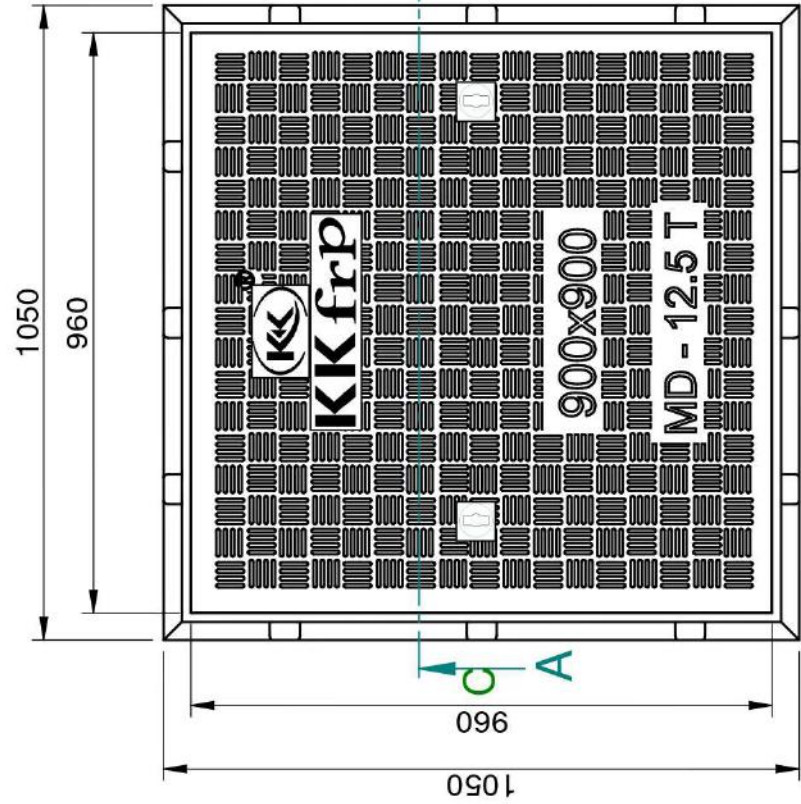
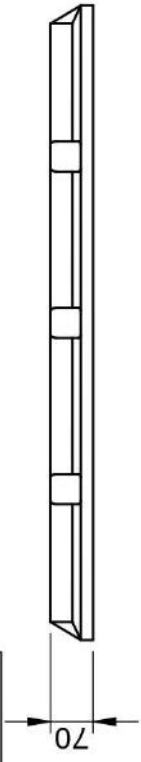
Specific Product Code/s:	MCMD16
Product Group:	KK-FRP FIBREGLASS COMPOSITE MANHOLE COVER & FRAME
Sub-Category:	Medium Duty MD 12.5 T Cap. As per BSEN124:2015
Material Composition :	Unsaturated Polyester Resin UV Resistant ISO Grade, Emulsion Fibreglass Matt E Class, Accelerators, UV Resistant Pigment, Polymer Concrete in Quartz as Core,

Basic Dimensions (mm):	Clear Opening	900 x 900 mm
	Cover Size:	960 x 960 mm
	Cover Height:	30 mm
	Frame Size:	1050 x 1050 mm
	Frame Height:	70 mm

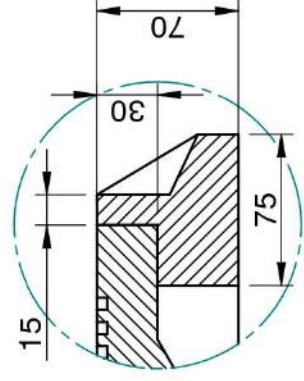
Weight (kgs): Approx. 91 kg

Load Rating Classification: B125 (12.5T)

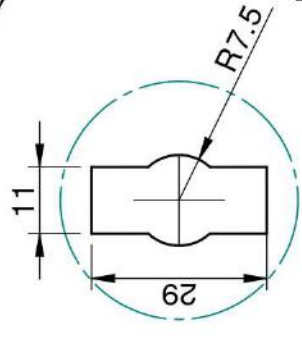
- Features:
- FRP Manhole Cover & Frame B125 as per BSEN124.
  - Medium duty design to cope with the demands of Medium duty traffic in car parking of residential, commercial areas , Roads , carriageways, etc.
  - Key Holes 2nos with **(SS Key optional)** & Lifting device provided .
  - Choice of Colour Available.
  - Anti skid surface.
  - Waterproof, Weatherproof, Burglar proof, Non corrosive, High Strength to Wt ratio, Easy of handing as Light wt , Heat Resistant, Shockproof .
  - Provision for Logo of Buyer.
  - Additional Provision of Gasket (O-Ring) 6 mm Dia & SS Nut Bolts



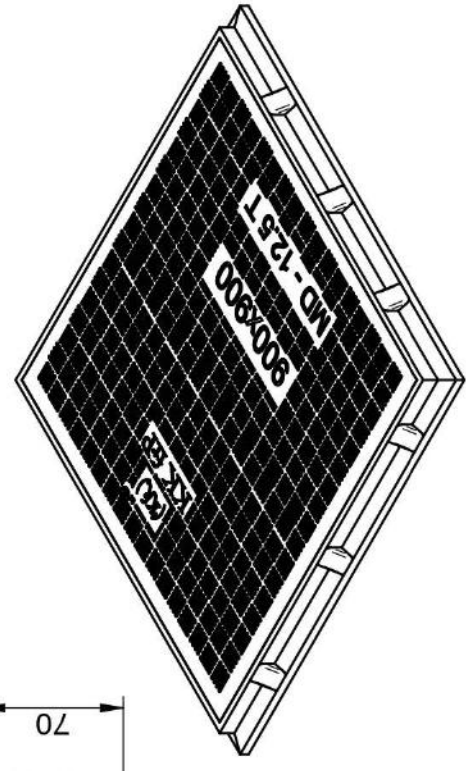
SECTION A-A



DETAIL B



DETAIL C  
KEY HOLE  
FOR LIFTING



- ① CLEAR OPENING = 900 x 900 MM
- ② OUTER FRAME SIZE = 1050 x 1050 x 70 MM
- ③ OUTER COVER SIZE = 960 x 960 x 30 MM
- ④ APPROX WEIGHT = 95 KG

	Drawn	RJ	Checked	AB	Scale:	1:5	Projection:	
	DESCRIPTION:		MCMD-16		Sheet No.	2 of 2		DRG. NO.
<p style="text-align: right;">12.5 T</p>								

**KK frp**

NOTE:-  
 1. ALL DIMENSIONS ARE IN MM.  
 2. DIMENSIONAL TOLERANCE +/- 1%

CONFIDENTIAL INFORMATION  
 (UNAUTHORISED DISCLOSURE PROHIBITED)