

Technical Specification/ Product Datasheet



KK-FRP AND KONCRETE PRODUCTS PVT LTD

1114 Hubtown Solaris
Prof N.S Phadke Road, Andheri (E)
Mumbai-400 069
INDIA
Ph: +91 22 66913250 ,
Mob: +91 9822036550 / 9850089903 ,
email: info@kkfrp.com / kkmgnsk@gmail.com
Web: www.kkfrp.com



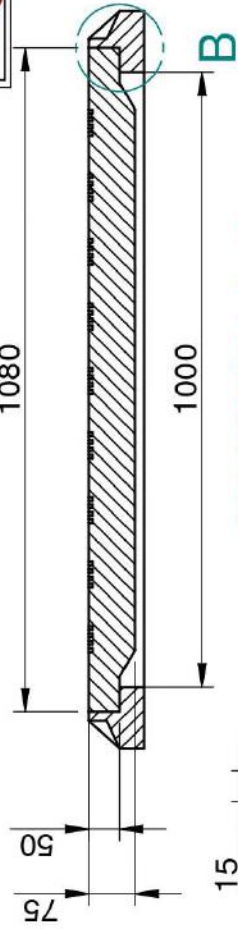
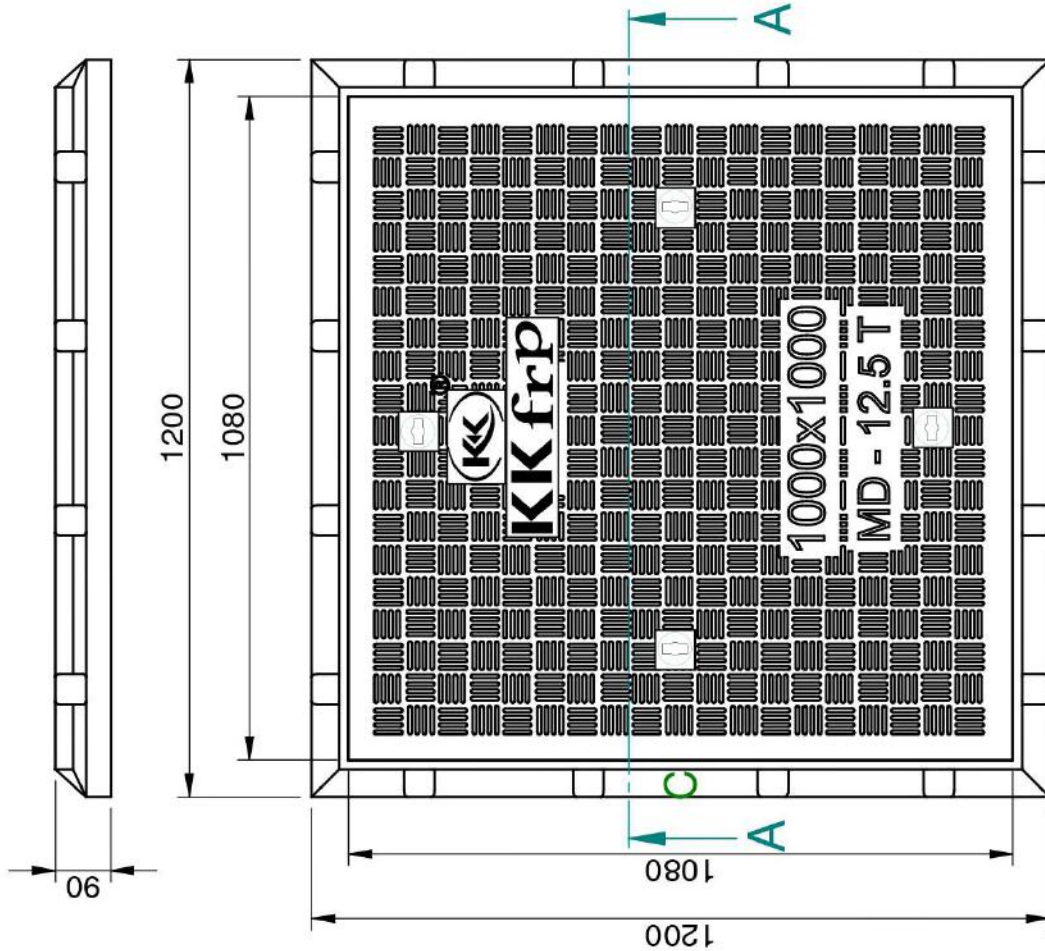
Specific Product Code/s:	MCMD17
Product Group:	KK-FRP FIBREGLASS COMPOSITE MANHOLE COVER & FRAME
Sub-Category:	Medium Duty MD 12.5 T Cap. As per BSEN124:2015
Material Composition :	Unsaturated Polyester Resin UV Resistant ISO Grade, Emulsion Fibreglass Matt E Class, Accelerators, UV Resistant Pigment, Polymer Concrete in Quartz as Core,

Basic Dimensions (mm):	Clear Opening	1000 x 1000 mm
	Cover Size:	1080 x 1080 mm
	Cover Height:	50 mm
	Frame Size:	1200 x 1200 mm
	Frame Height:	90 mm

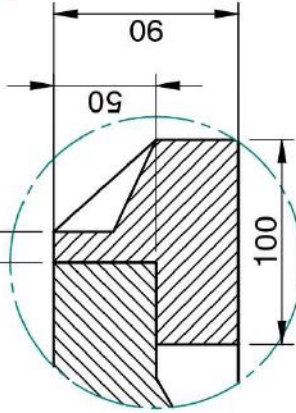
Weight (kgs): Approx. 170 kg

Load Rating Classification: B125 (12.5T)

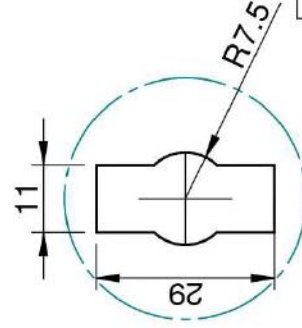
- Features:
- FRP Manhole Cover & Frame B125 as per BSEN124.
 - Medium duty design to cope with the demands of Medium duty traffic in car parking of residential, commercial areas , Roads , carriageways, etc.
 - Key Holes 4nos with **(SS Key optional)** & Lifting device provided .
 - Choice of Colour Available.
 - Anti skid surface.
 - Waterproof, Weatherproof, Burglar proof, Non corrosive, High Strength to Wt ratio, Easy of handing as Light wt , Heat Resistant, Shockproof .
 - Provision for Logo of Buyer.
 - Additional Provision of Gasket (O-Ring) 6 mm Dia & SS Nut Bolts



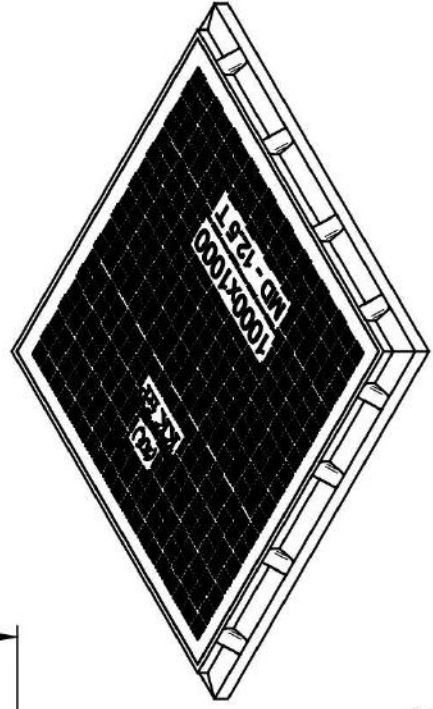
SECTION A-A



DETAIL B



DETAIL C
KEY HOLE
FOR LIFTING



- ① CLEAR OPENING = 1000 x 1000 MM
- ② OUTER FRAME SIZE = 1200 x 1200 x 90 MM
- ③ OUTER COVER SIZE = 1080 x 1080 x 50 MM
- ④ APPROX WEIGHT = 170 KG

	Drawn	RJ	Checked	AB	Scale:	1:5		
	DESCRIPTION:	MCMD-17		Sheet No.	2 of 2			DRG. NO.
							MCMD-17-1000x1000 0 12.5 T	

CONFIDENTIAL INFORMATION
(UNAUTHORISED DISCLOSURE PROHIBITED)

KK frp

NOTE:-
1. ALL DIMENSIONS ARE IN MM.
2. DIMENSIONAL TOLERANCE +/- 1%