

# Technical Specification/ Product Datasheet



## KK-FRP AND KONCRETE PRODUCTS PVT LTD

1114 Hubtown Solaris  
Prof N.S Phadke Road, Andheri (E)  
Mumbai-400 069  
INDIA  
Ph: +91 22 66913250 ,  
Mob: +91 9822036550 / 9850089903 ,  
email: [info@kkfrp.com](mailto:info@kkfrp.com) / [kkmngsk@gmail.com](mailto:kkmngsk@gmail.com)  
Web: [www.kkfrp.com](http://www.kkfrp.com)



Specific Product Code/s:	MCMD20
Product Group:	KK-FRP FIBREGLASS COMPOSITE MANHOLE COVER & FRAME
Sub-Category:	Medium Duty MD 12.5 T Cap. As per BSEN124:2015
Material Composition :	Unsaturated Polyester Resin UV Resistant ISO Grade, Emulsion Fibreglass Matt E Class, Accelerators, UV Resistant Pigment, Polymer Concrete in Quartz as Core,

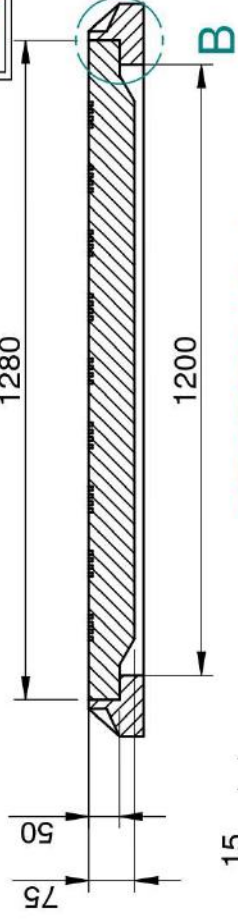
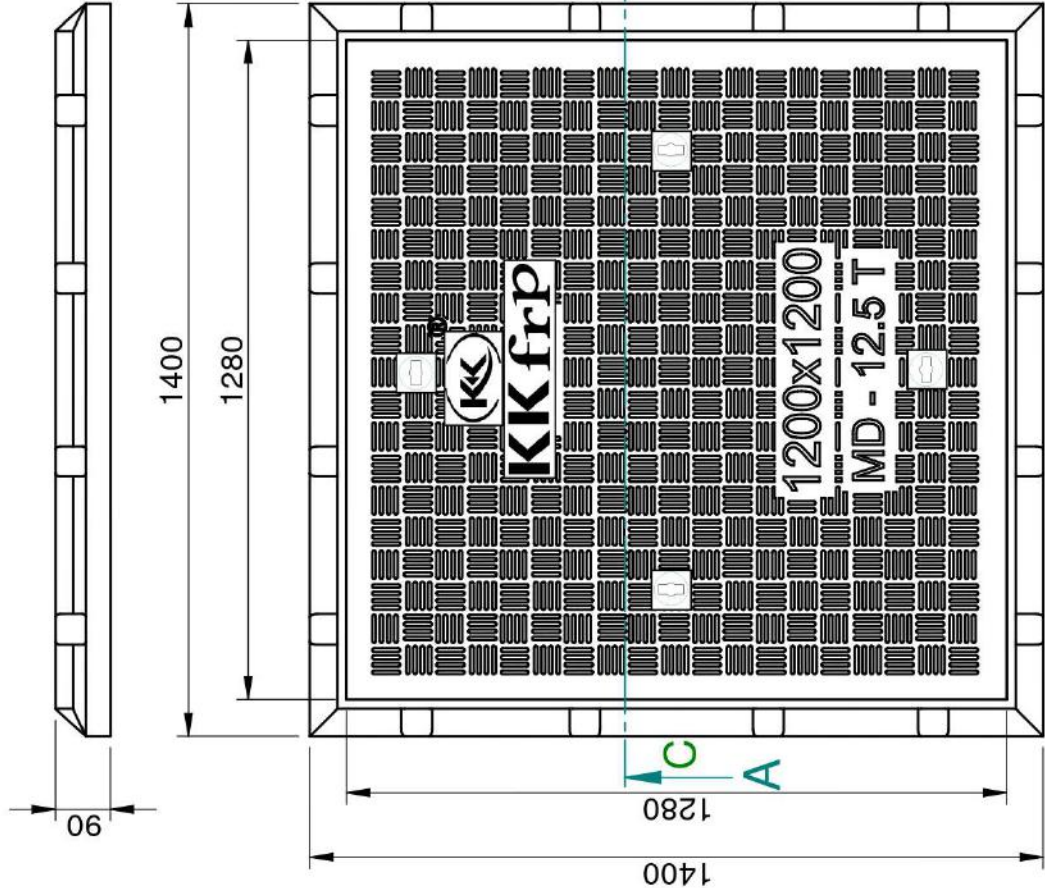
Basic Dimensions (mm):	Clear Opening	1200 x 1200 mm
	Cover Size:	1280 x 1280 mm
	Cover Height:	50 mm
	Frame Size:	1400 x 1400 mm
	Frame Height:	90 mm

Weight (kgs): Approx. 255 kg

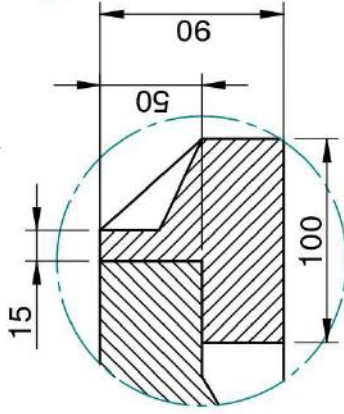
Load Rating Classification: B125 (12.5T)

- Features:
- FRP Manhole Cover & Frame B125 as per BSEN124.
  - Medium duty design to cope with the demands of Medium duty traffic in car parking of residential, commercial areas , Roads , carriageways, etc.
  - Key Holes 4nos with **(SS Key optional)** & Lifting device provided .
  - Choice of Colour Available.
  - Anti skid surface.
  - Waterproof, Weatherproof, Burglar proof, Non corrosive, High Strength to Wt ratio, Easy of handing as Light wt , Heat Resistant, Shockproof .
  - Provision for Logo of Buyer.
  - Additional Provision of Gasket (O-Ring) 6 mm Dia & SS Nut Bolts

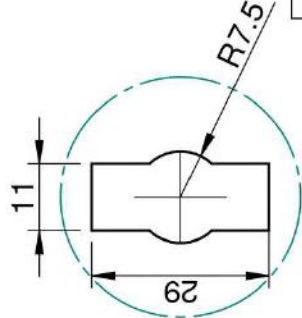
ALL DIMENSIONS ARE IN MM



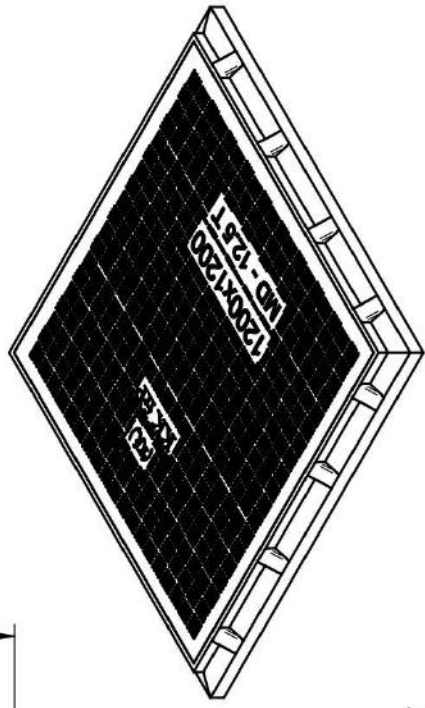
SECTION A-A



DETAIL B



DETAIL C  
KEY HOLE  
FOR LIFTING



- ① CLEAR OPENING = 1200 x 1200 MM
- ② OUTER FRAME SIZE = 1400 x 1400 x 90 MM
- ③ OUTER COVER SIZE = 1280 x 1280 x 50 MM
- ④ APPROX WEIGHT = 237 KG

	Drawn	RJ	Checked	AB	Scale:	1:5	Projection:	
	DESCRIPTION:	MCMD-20			Sheet No.	2 of 2		DRG.-NO.

CONFIDENTIAL INFORMATION  
(UNAUTHORISED DISCLOSURE PROHIBITED)

**KK frp**

NOTE:-  
1. ALL DIMENSIONS ARE IN MM.  
2. DIMENSIONAL TOLERANCE +/- 1%