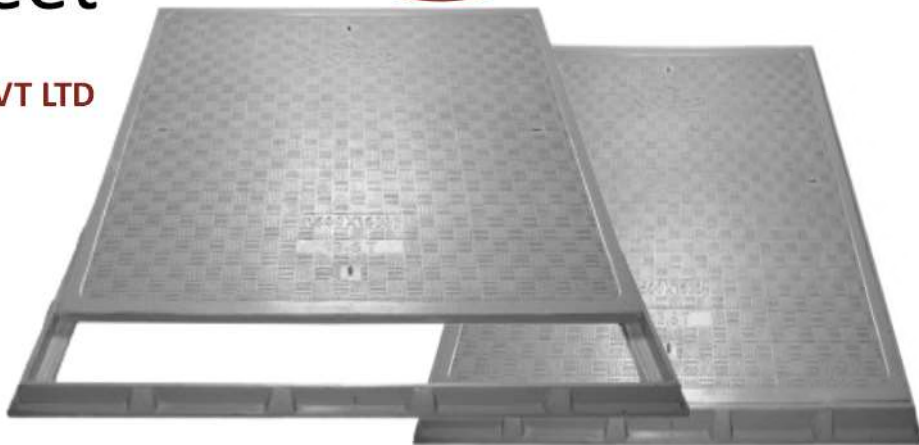


Technical Specification/ Product Datasheet

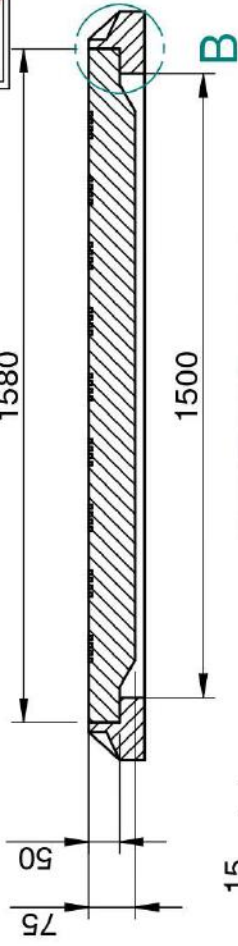
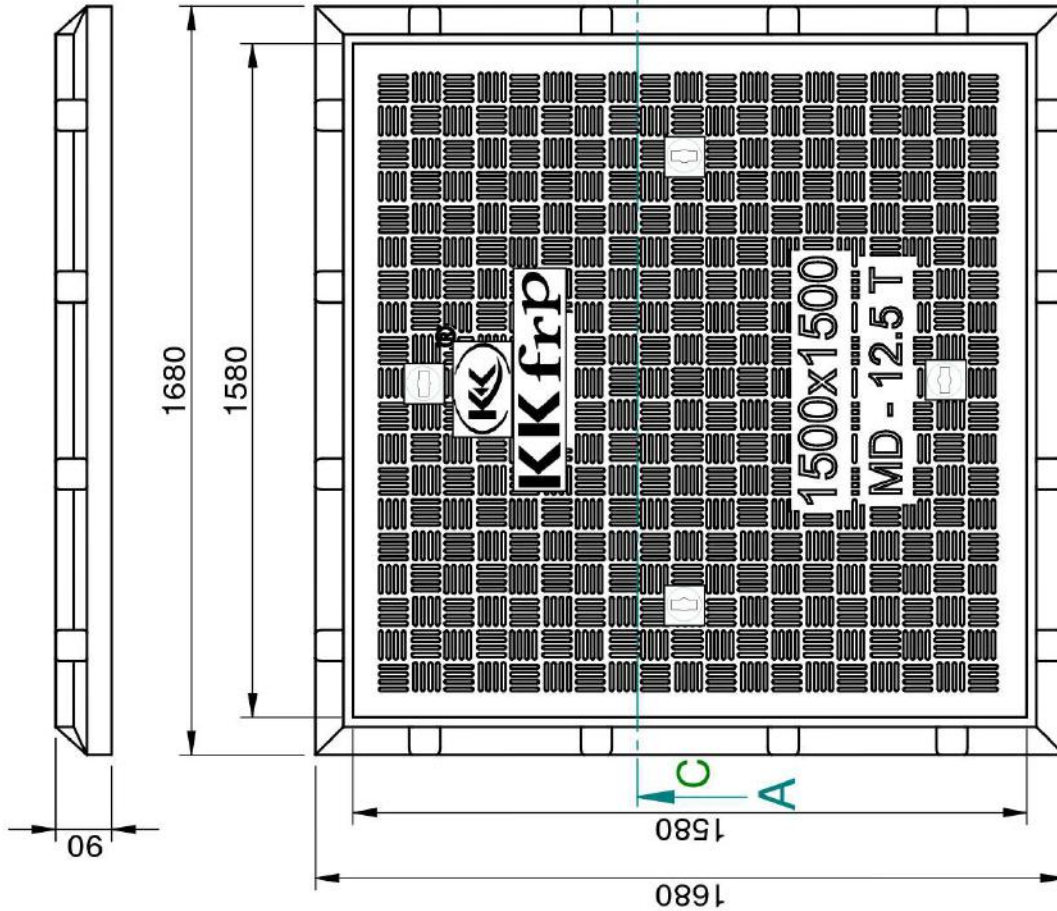


KK-FRP AND KONCRETE PRODUCTS PVT LTD

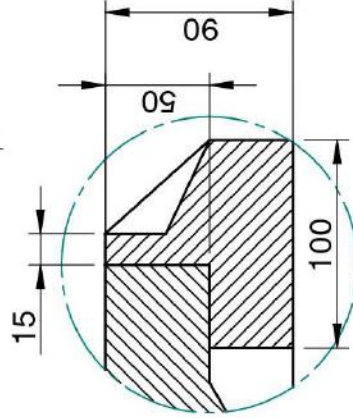
1114 Hubtown Solaris
Prof N.S Phadke Road, Andheri (E)
Mumbai-400 069
INDIA
Ph: +91 22 66913250 ,
Mob: +91 9822036550 / 9850089903 ,
email: info@kkfrp.com / kkmgnsk@gmail.com
Web: www.kkfrp.com



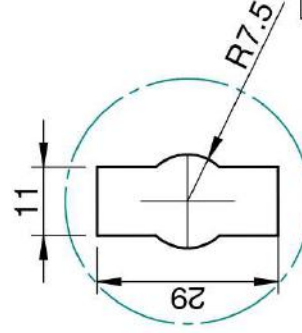
Specific Product Code/s:	MCMD21
Product Group:	KK-FRP FIBREGLASS COMPOSITE MANHOLE COVER & FRAME
Sub-Category:	Medium Duty MD 12.5 T Cap. As per BSEN124:2015
Material Composition :	Unsaturated Polyester Resin UV Resistant ISO Grade, Emulsion Fibreglass Matt E Class, Accelerators, UV Resistant Pigment, Polymer Concrete in Quartz as Core,
Basic Dimensions (mm):	Clear Opening 1500 x 1500 mm Cover Size: 1580 x 1580 mm Cover Height: 50 mm Frame Size: 1680 x 1680 mm Frame Height: 90 mm
Weight (kgs):	Approx. 290 kg
Load Rating Classification:	B125 (12.5T)
Features:	<ul style="list-style-type: none">➤ FRP Manhole Cover & Frame B125 as per BSEN124.➤ Medium duty design to cope with the demands of Medium duty traffic in car parking of residential, commercial areas , Roads , carriageways, etc.➤ Key Holes 4nos with (SS Key optional) & Lifting device provided .➤ Choice of Colour Available.➤ Anti skid surface.➤ Waterproof, Weatherproof, Burglar proof, Non corrosive, High Strength to Wt ratio, Easy of handing as Light wt , Heat Resistant, Shockproof .➤ Provision for Logo of Buyer.➤ Additional Provision of Gasket (O-Ring) 6 mm Dia & SS Nut Bolts



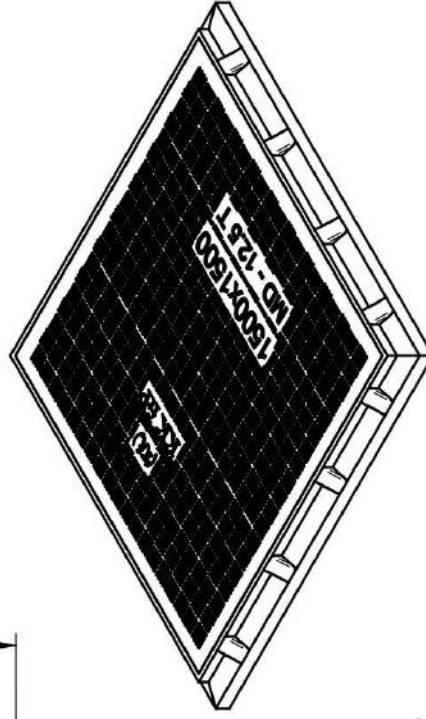
SECTION A-A



DETAIL B



**DETAIL C
KEY HOLE
FOR LIFTING**



- ① CLEAR OPENING = 1500 x 1500 MM
- ② OUTER FRAME SIZE = 1680 x 1680 x 90 MM
- ③ OUTER COVER SIZE = 1580 x 1580 x 50 MM
- ④ APPROX WEIGHT = 290 KG

	Drawn	RJ	Sched AB	Scale:	1:5	
	DESCRIPTION:	MCMD-21		DRG. NO.	MCMD-21-1500x1500 12.5 T	
Sheet No. 2 of 2						

CONFIDENTIAL INFORMATION
(UNAUTHORISED DISCLOSURE PROHIBITED)

KK frp

NOTE:-
 1. ALL DIMENSIONS ARE IN MM.
 2. DIMENSIONAL TOLERANCE +/- 1%