



CII-Green Products



Technical Specification/ Product Datasheet

KK-FRP AND KONCRETE PRODUCTS PVT LTD

1114 Hubtown Solaris

Prof N.S Phadke Road, Andheri (E)

Mumbai-400 069

INDIA

Ph: +91 22 66913250 ,

Mob: +91 9822036550 / 9850089903 ,

email: info@kkfrp.com / kkmgnsk@gmail.com

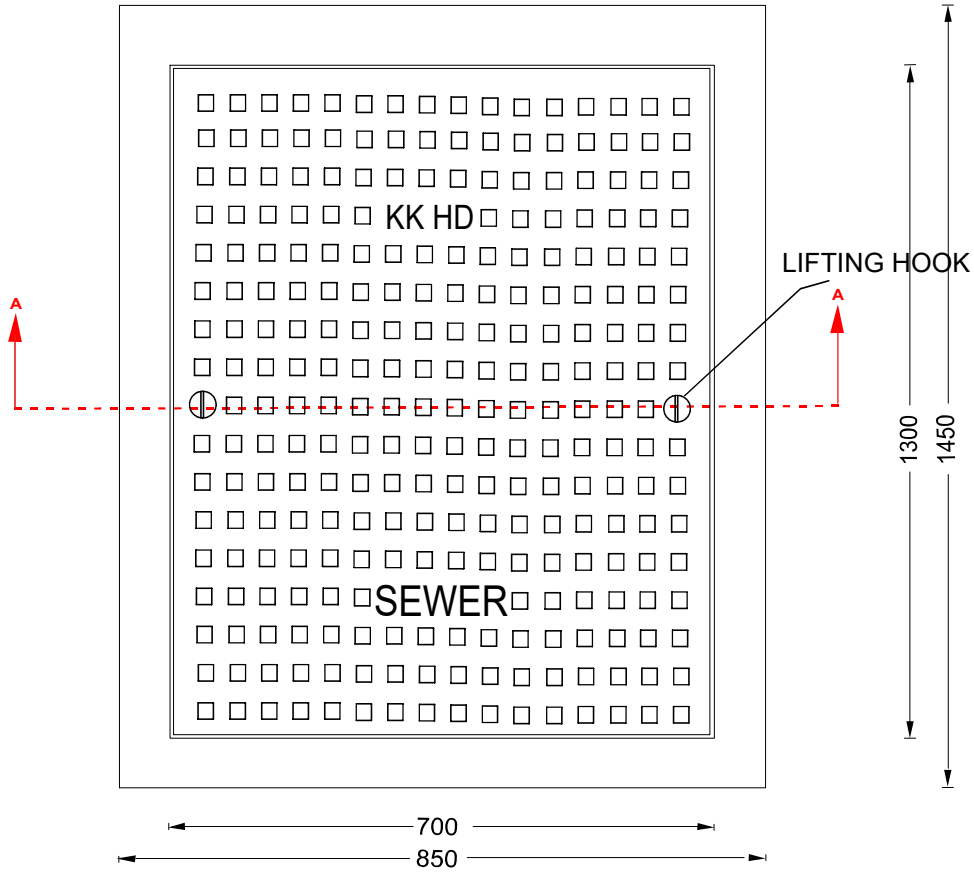
Web: www.kkfrp.com

| | |
|-----------------------------|--|
| Specific Product Code/s: | MHCF08 |
| Product Group: | KK SFRC CONCRETE MANHOLE COVER & FRAME |
| Sub-Category: | Heavy Duty HD 20 T Cap. As per IS:12592:2002 |
| Material Composition : | Ordinary Portland Cement 53 Grade. Reinforcement 10 mm TMT Bars Fe 500 Grade, MS Sheet at edges 1.30 mm thick |
| Concrete Grade : | M40 |
| Water Cement Ratio: | 0.35 |
| Basic Dimensions (mm): | Clear Opening 600 x 1200 mm Cover Size: 700 x 1300 mm Cover Height: 95 mm Frame Size: 850 x 1450 mm Frame Height: 150 mm |
| Weight (kgs) : | Approx. 375 kg |
| Load Rating Classification: | HD 20T |
| Features: | <ul style="list-style-type: none">➤ SFRC Concrete Manhole Cover & Frame HD-20T as per IS:12592:2002.➤ Heavy duty design to cope with the demands of heavy traffic in Main Roads , carriageways , Parkings etc➤ 2 Nos Lifting Hooks 12 mm Dia TMT Bars provided .➤ Anti skid surface.➤ Waterproof, Weatherproof, Burglar proof, Non corrosive, High Strength , Heat Resistant, Shockproof . |

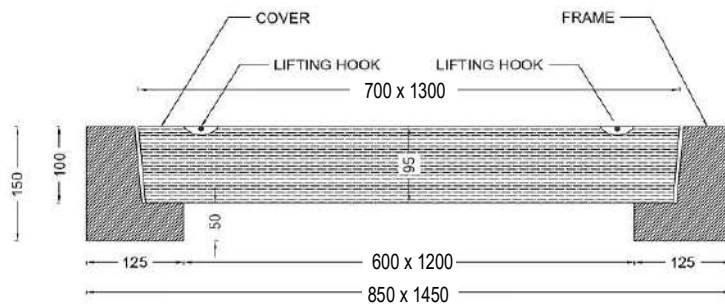
KKSFRC

DETAILED DRAWING

KK SFRC CONCRETE MANHOLE COVER AND FRAME CLEAR OPENING 600 X 1200 MM CAP 20T



PLAN



DETAILED SECTION AA

| |
|--|
| <p>KK-FRP AND CONCRETE PRODUCTS PVT LTD TECHNICAL SPECIFICATION: HEAVY DUTY RECTANGULAR SFRC CONCRETE MANHOLE COVER AND FRAME HD 20T CLEAR OPENING: 600 X 1200 MM COVER SIZE: 700 X 1300 X 95 MM FRAME SIZE : 850 X 1450 X150 MM WEIGHT PER SET 375 KGS. LOAD CAPACITY AS PER IS:12592-2002 20T (ALL DIMENSIONS ARE IN MM) DIMENSIONAL TOLERANCE +5MM</p> |
|--|