

# Technical Specification/ Product Datasheet



## KK-FRP AND KONCRETE PRODUCTS PVT LTD

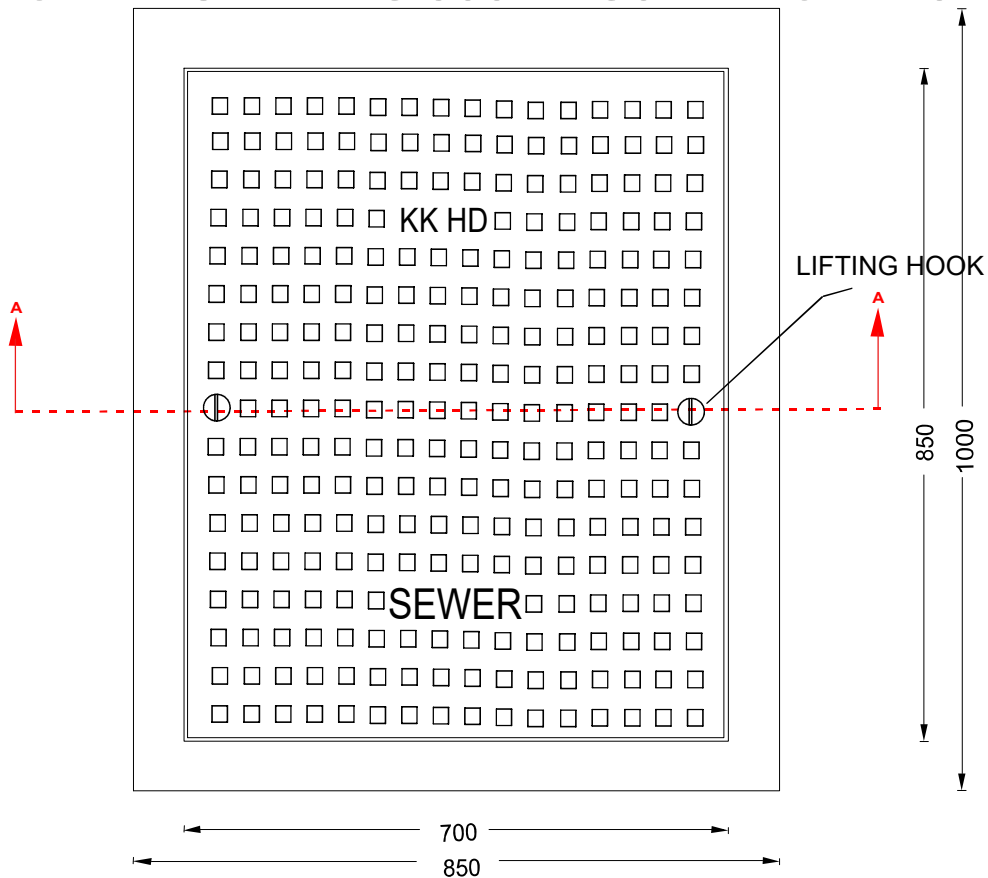
1114 Hubtown Solaris  
Prof N.S Phadke Road, Andheri (E)  
Mumbai-400 069  
INDIA  
Ph: +91 22 66913250 ,  
Mob: +91 9822036550 / 9850089903 ,  
email: [info@kkfrp.com](mailto:info@kkfrp.com) / [kkmgnsk@gmail.com](mailto:kkmgnsk@gmail.com)  
Web: [www.kkfrp.com](http://www.kkfrp.com)



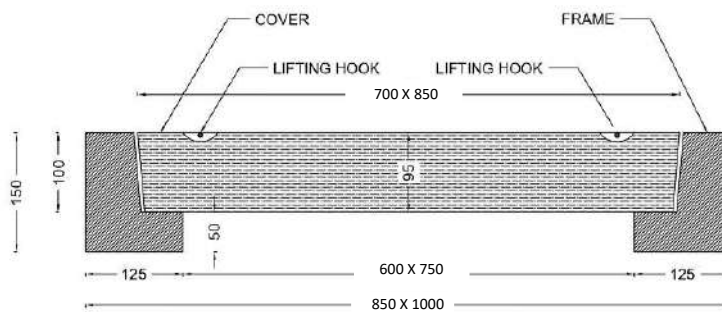
Specific Product Code/s:	MHCF13
Product Group:	KK SFRC CONCRETE MANHOLE COVER & FRAME
Sub-Category:	Heavy Duty HD 20 T Cap. As per IS:12592:2002
Material Composition :	Ordinary Portland Cement 53 Grade. Reinforcement 10 mm TMT Bars Fe 500 Grade, MS Sheet at edges 1.30 mm thick
Concrete Grade :	M40
Water Cement Ratio:	0.35
Basic Dimensions (mm):	Clear Opening 600 x 750 mm Cover Size: 700 x 850 mm Cover Height: 95 mm Frame Size: 850 x 1000 mm Frame Height: 150 mm
Weight (kgs) :	Approx. 260 kg
Load Rating Classification:	HD 20T
Features:	<ul style="list-style-type: none"> <li>➤ SFRC Concrete Manhole Cover &amp; Frame HD-20T as per IS:12592:2002.</li> <li>➤ Heavy duty design to cope with the demands of heavy traffic in Main Roads , carriageways , Parkings etc</li> <li>➤ 2 Nos Lifting Hooks 12 mm Dia TMT Bars provided .</li> <li>➤ Anti skid surface.</li> <li>➤ Waterproof, Weatherproof, Burglar proof, Non corrosive, High Strength , Heat Resistant, Shockproof .</li> </ul>

## DETAILED DRAWING

### KK SFRC CONCRETE MANHOLE COVER AND FRAME CLEAR OPENING 600 X 750 MM CAP 20T



**PLAN**



**DETAILED SECTION AA**

**KK-FRP AND CONCRETE PRODUCTS PVT LTD**  
TECHNICAL SPECIFICATION:  
HEAVY DUTY RECTANGULAR  
SFRC CONCRETE MANHOLE COVER AND FRAME HD 20T  
CLEAR OPENING: 600 X 750 MM  
COVER SIZE: 700 X 850 X 95 MM  
FRAME SIZE : 850 X 1000 X 150 MM  
WEIGHT PER SET 260 KGS.  
LOAD CAPACITY AS PER IS:12592-2002 20T  
(ALL DIMENSIONS ARE IN MM)  
DIMENSIONAL TOLERANCE +5MM