

# Technical Specification/ Product Datasheet

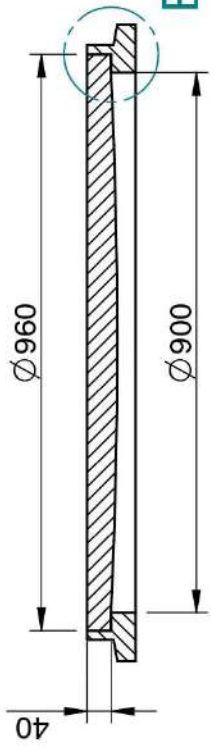


## KK-FRP AND KONCRETE PRODUCTS PVT LTD

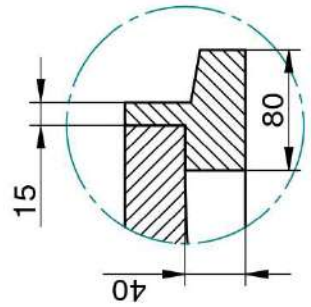
1114 Hubtown Solaris  
Prof N.S Phadke Road, Andheri (E)  
Mumbai-400 069  
INDIA  
Ph: +91 22 66913250 ,  
Mob: +91 9822036550 / 9850089903 ,  
email: [info@kkfrp.com](mailto:info@kkfrp.com) / [kkmgnsk@gmail.com](mailto:kkmgnsk@gmail.com)  
Web: [www.kkfrp.com](http://www.kkfrp.com)



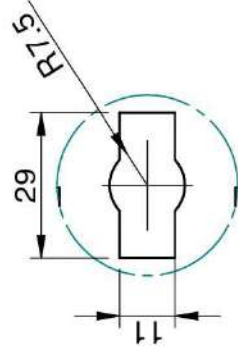
Specific Product Code/s:	MCLD05
Product Group:	KK-FRP FIBREGLASS COMPOSITE MANHOLE COVER & FRAME
Sub-Category:	Light Duty LD 2.5/5 T Cap. As per BSEN124:2015
Material Composition :	Unsaturated Polyester Resin UV Resistant ISO Grade, Emulsion Fibreglass Matt E Class, Accelerators, UV Resistant Pigment, Polymer Concrete in Quartz as Core,
Basic Dimensions (mm):	Clear Opening 900 mm Dia Cover Size: 960 mm Dia Cover Height: 40 mm Frame Size: 1060 mm Dia Frame Height: 80 mm
Weight (kgs):	Approx. 81 kg
Load Rating Classification:	LD-2.5/5T
Features:	<ul style="list-style-type: none"><li>➤ FRP Manhole Cover &amp; Frame LD-2.5/5T as per BSEN124.</li><li>➤ Light duty design to cope with the demands of Light duty traffic in foot paths ,cycle tracks ,car parking of residential areas etc.</li><li>➤ Key Holes 2nos with <b>(SS Key optional)</b> &amp; Lifting device provided .</li><li>➤ Choice of Colour Available.</li><li>➤ Anti skid surface.</li><li>➤ Waterproof, Weatherproof, Burglar proof, Non corrosive, High Strength to Wt ratio, Easy of handing as Light wt , Heat Resistant, Shockproof .</li><li>➤ Provision for Logo of Buyer.</li><li>➤ Additional Provision of Gasket (O-Ring) 6 mm Dia &amp; SS Nut Bolts with Washer to make Water Tight <b>(Optional)</b> .</li></ul>



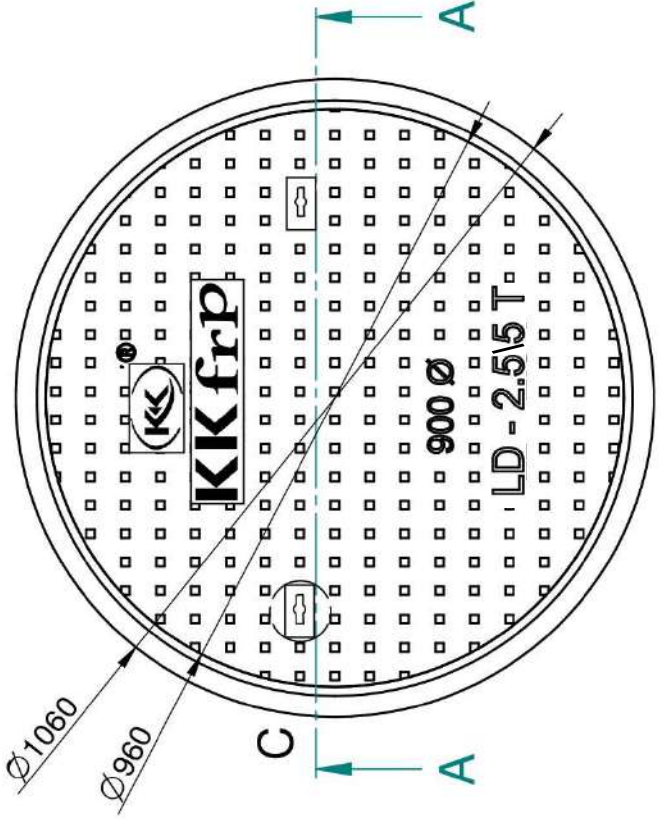
**SECTION A-A**



**DETAIL B**



**DETAIL C  
KEY HOLE  
FOR LIFTING**



- ① CLEAR OPENING = Ø 900 MM
- ② OUTER FRAME SIZE = Ø 1060 MM
- ③ OUTER COVER SIZE = Ø 960 MM
- ④ APPROX WEIGHT = 81 KG

	Drawn	RJ	Checked	AB	Scale:	1:5	Projection:	
	DESCRIPTION:		Sheet No.		DRG. NO.			
<b>KK frp</b>		<b>MCLD-05</b>		<b>2 OF 2</b>		<b>MCLD-05 DIA 900 2.5 T</b>		

**NOTE:-**  
 1. ALL DIMENSIONS ARE IN MM.  
 2. DIMENSIONAL TOLERANCE +/- 1%

CONFIDENTIAL INFORMATION  
 (UNAUTHORISED DISCLOSURE PROHIBITED)