

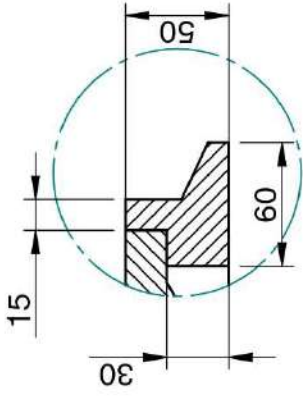
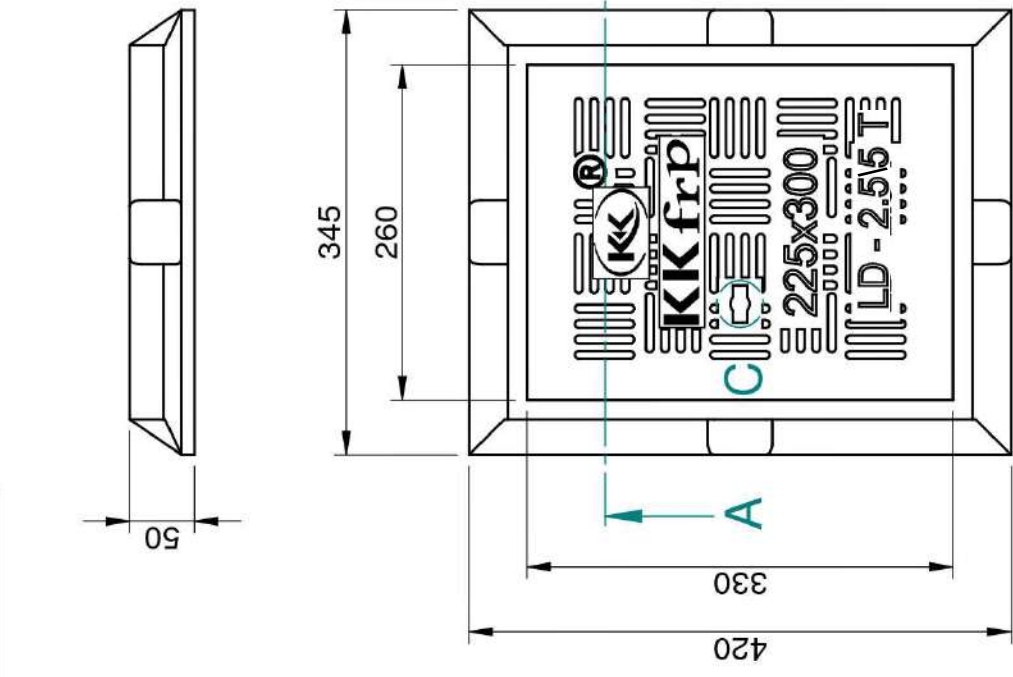


Technical Specification/ Product Datasheet

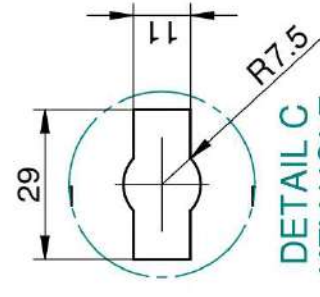
KK-FRP AND KONCRETE PRODUCTS PVT LTD

1114 Hubtown Solaris
Prof N.S Phadke Road, Andheri (E)
Mumbai-400 069
INDIA
Ph: +91 22 66913250 ,
Mob: +91 9822036550 / 9850089903 ,
email: info@kkfrp.com / kkmgnsk@gmail.com
Web: www.kkfrp.com

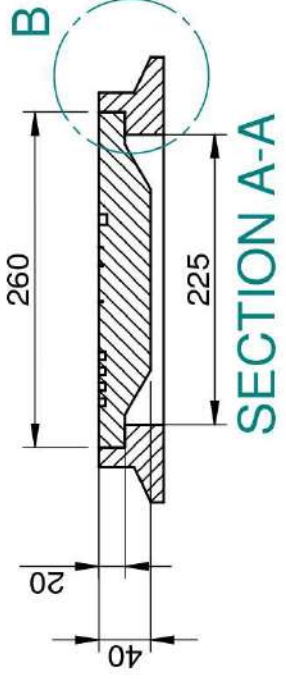
Specific Product Code/s:	MCLD06
Product Group:	KK-FRP FIBREGLASS COMPOSITE MANHOLE COVER & FRAME
Sub-Category:	Light Duty LD-2.5/5 T Cap. As per BSEN124:2015
Material Composition :	Unsaturated Polyester Resin UV Resistant ISO Grade, Emulsion Fibreglass Matt E Class, Accelerators, UV Resistant Pigment, Polymer Concrete in Quartz as Core,
Basic Dimensions (mm):	Clear Opening 225 x 300 mm Cover Size: 260 x 330 mm Cover Height: 20 mm Frame Size: 345 x 420 mm Frame Height: 50 mm
Weight (kgs):	Approx. 11 kg
Load Rating Classification:	LD-2.5/5T
Features:	<ul style="list-style-type: none">➤ FRP Manhole Cover & Frame LD-2.5/5T as per BSEN124.➤ Light duty design to cope with the demands of Light duty traffic in foot paths ,cycle tracks ,car parking of residential areas etc.➤ Key Holes 1nos with (SS Key optional) & Lifting device provided .➤ Choice of Colour Available.➤ Anti skid surface.➤ Waterproof, Weatherproof, Burglar proof, Non corrosive, High Strength to Wt ratio, Easy of handling as Light wt , Heat Resistant, Shockproof .➤ Provision for Logo of Buyer.➤ Additional Provision of Gasket (O-Ring) 6 mm Dia & SS Nut Bolts with Washer to make Water Tight (Optional) .



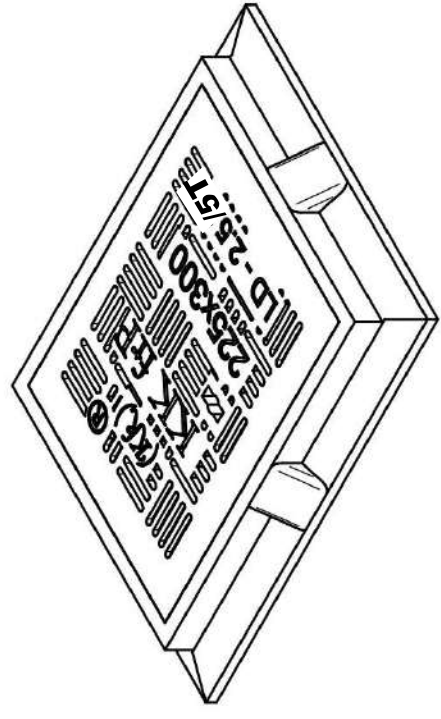
DETAIL B



**DETAIL C
KEY HOLE
FOR LIFTING**



SECTION A-A



- ① CLEAR OPENING = 225 X 300 MM
- ② OUTER FRAME SIZE = 345 X 420 X 50 MM
- ③ OUTER COVER SIZE = 260 X 330 X 20 MM
- ④ APPROX WEIGHT = 11 KG

	Drawn	RJ	Checked	AB	Scale:	1:5	Project:	
	DESCRIPTION:		MCLD-06		Sheet No:		2 OF 2	
CONFIDENTIAL INFORMATION (UNAUTHORISED DISCLOSURE PROHIBITED)				DRG. NO.		MCLD-06-225x300 LD 2.5 T		

NOTE:-
 1. ALL DIMENSIONS ARE IN MM.
 2. DIMENSIONAL TOLERANCE +/- 1%