

Technical Specification/ Product Datasheet

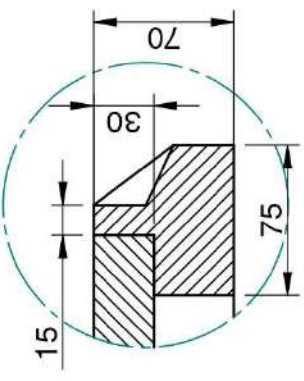
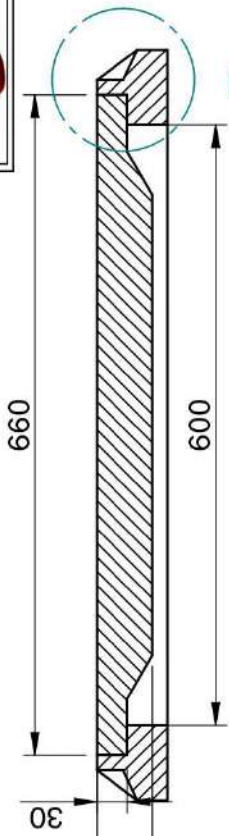
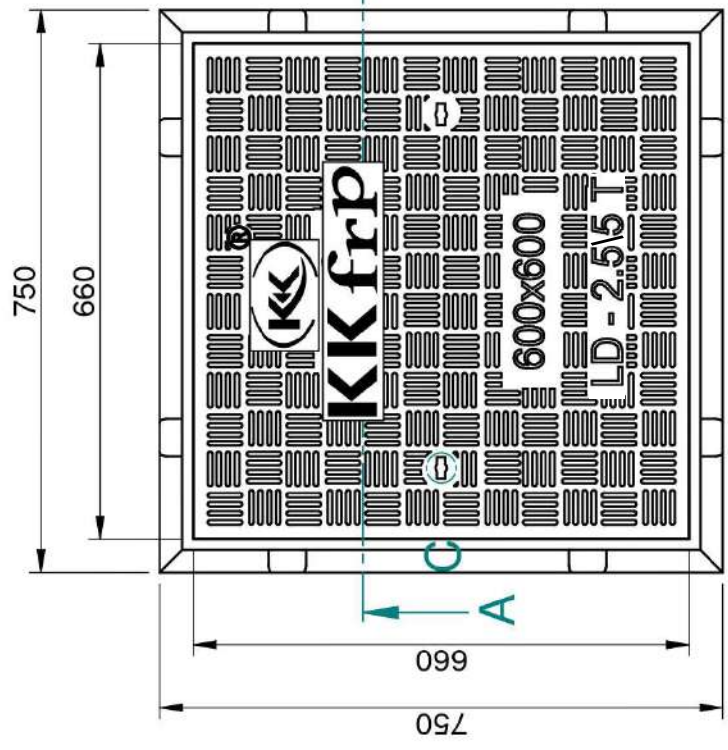
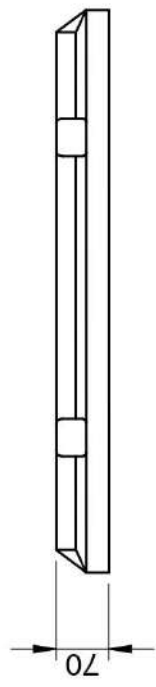


KK-FRP AND KONCRETE PRODUCTS PVT LTD

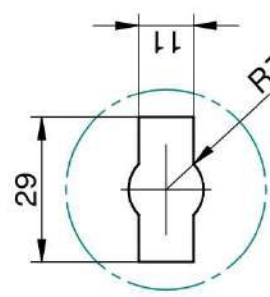
1114 Hubtown Solaris
Prof N.S Phadke Road, Andheri (E)
Mumbai-400 069
INDIA
Ph: +91 22 66913250 ,
Mob: +91 9822036550 / 9850089903 ,
email: info@kkfrp.com / kkmgnsk@gmail.com
Web: www.kkfrp.com



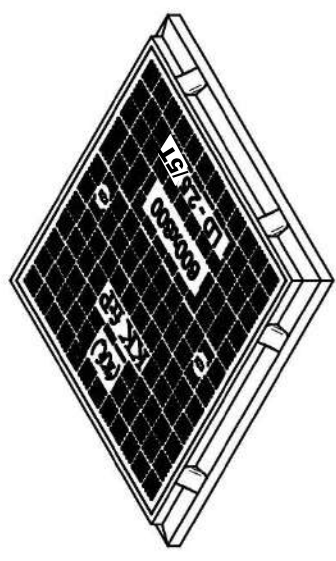
Specific Product Code/s:	MCLD10
Product Group:	KK-FRP FIBREGLASS COMPOSITE MANHOLE COVER & FRAME
Sub-Category:	Light Duty LD-2.5/5T Cap. As per BSEN124:2015
Material Composition :	Unsaturated Polyester Resin UV Resistant ISO Grade, Emulsion Fibreglass Matt E Class, Accelerators, UV Resistant Pigment, Polymer Concrete in Quartz as Core,
Basic Dimensions (mm):	Clear Opening 600 x 600 mm Cover Size: 660 x 660 mm Cover Height: 30 mm Frame Size: 750 x 750 mm Frame Height: 70 mm
Weight (kgs):	Approx. 49 kg
Load Rating Classification:	LD-2.5/5T
Features:	<ul style="list-style-type: none">➤ FRP Manhole Cover & Frame LD-2.5/5T as per BSEN124.➤ Light duty design to cope with the demands of Light duty traffic in foot paths ,cycle tracks ,car parking of residential areas etc.➤ Key Holes 2nos with (SS Key optional) & Lifting device provided .➤ Choice of Colour Available.➤ Anti skid surface.➤ Waterproof, Weatherproof, Burglar proof, Non corrosive, High Strength to Wt ratio, Easy of handing as Light wt , Heat Resistant, Shockproof .➤ Provision for Logo of Buyer.➤ Additional Provision of Gasket (O-Ring) 6 mm Dia & SS Nut Bolts with Washer to make Water Tight (Optional) .



DETAIL B



DETAIL C
KEY HOLE
FOR LIFTING



- ① CLEAR OPENING = 600 x 600 MM
- ② OUTER FRAME SIZE = 750 x 750 x 70 MM
- ③ OUTER COVER SIZE = 660 x 660 x 30 MM
- ④ APPROX WEIGHT = 47 KG

	Drawn	RJ	Checked	AB	Scale:	1:5	Projection:		
	DESCRIPTION:		MCLD-10		Sheet No.:		2 OF 2		
								DRG. NO.:	MCLD-10-600x600
									LD 2.5 T

CONFIDENTIAL INFORMATION
(UNAUTHORISED DISCLOSURE PROHIBITED)

KK frp

NOTE:-
1. ALL DIMENSIONS ARE IN MM.
2. DIMENSIONAL TOLERANCE +/- 1%