

Technical Specification/ Product Datasheet

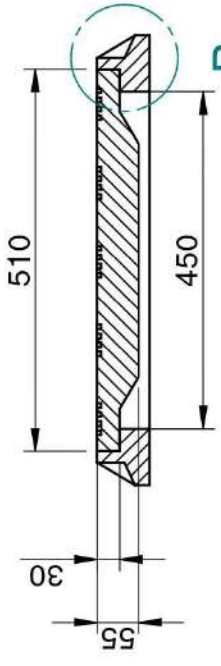
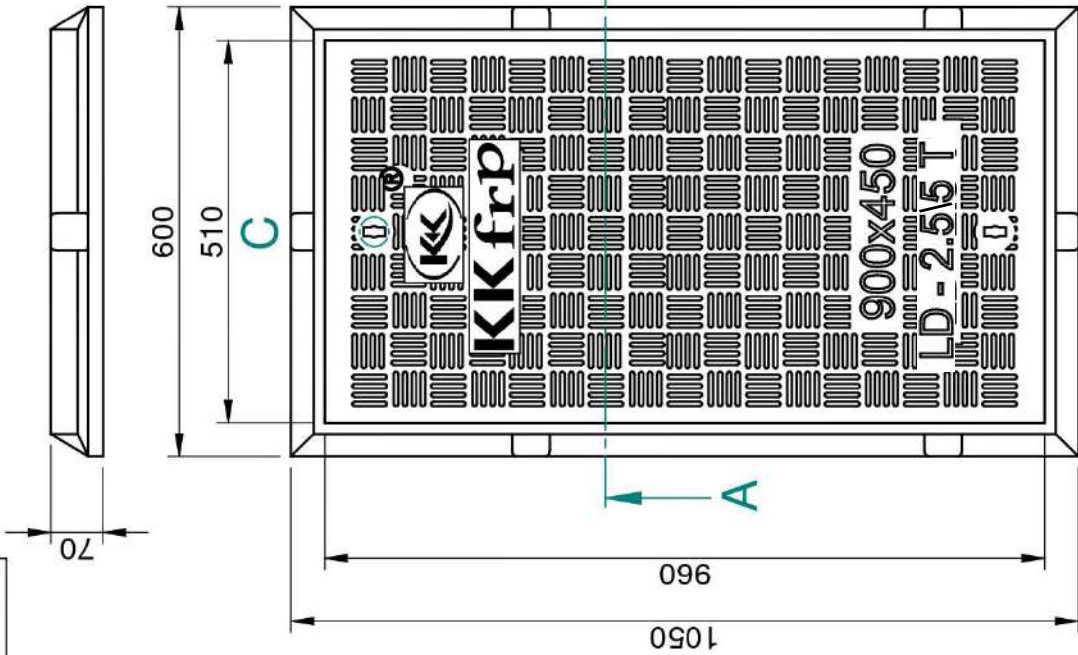


KK-FRP AND KONCRETE PRODUCTS PVT LTD

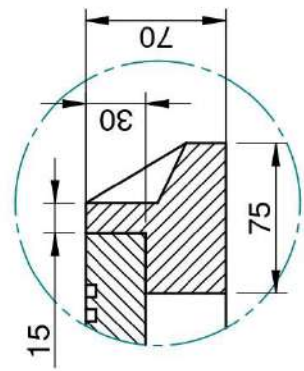
1114 Hubtown Solaris
Prof N.S Phadke Road, Andheri (E)
Mumbai-400 069
INDIA
Ph: +91 22 66913250 ,
Mob: +91 9822036550 / 9850089903 ,
email: info@kkfrp.com / kkmgnsk@gmail.com
Web: www.kkfrp.com



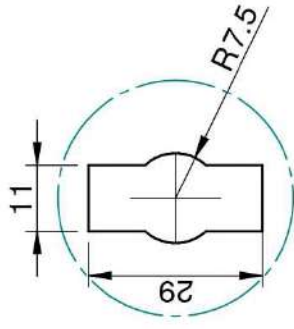
| | |
|-----------------------------|---|
| Specific Product Code/s: | MCLD13 |
| Product Group: | KK-FRP FIBREGLASS COMPOSITE MANHOLE COVER & FRAME |
| Sub-Category: | Light Duty LD 2.5/5 T Cap. As per BSEN124:2015 |
| Material Composition : | Unsaturated Polyester Resin UV Resistant ISO Grade, Emulsion Fibreglass Matt E Class, Accelerators, UV Resistant Pigment, Polymer Concrete in Quartz as Core, |
| Basic Dimensions (mm): | Clear Opening 900 x 450 mm Cover Size: 960 x 510 mm Cover Height: 30 mm Frame Size: 1050 x 600 mm Frame Height: 70 mm |
| Weight (kgs): | Approx. 46 kg |
| Load Rating Classification: | LD-2.5/5T |
| Features: | <ul style="list-style-type: none">➤ FRP Manhole Cover & Frame LD-2.5/5T as per BSEN124.➤ Light duty design to cope with the demands of Light duty traffic in foot paths ,cycle tracks ,car parking of residential areas etc.➤ Key Holes 2nos with (SS Key optional) & Lifting device provided .➤ Choice of Colour Available.➤ Anti skid surface.➤ Waterproof, Weatherproof, Burglar proof, Non corrosive, High Strength to Wt ratio, Easy of handling as Light wt , Heat Resistant, Shockproof .➤ Provision for Logo of Buyer.➤ Additional Provision of Gasket (O-Ring) 6 mm Dia & SS Nut Bolts with Washer to make Water Tight (Optional) . |



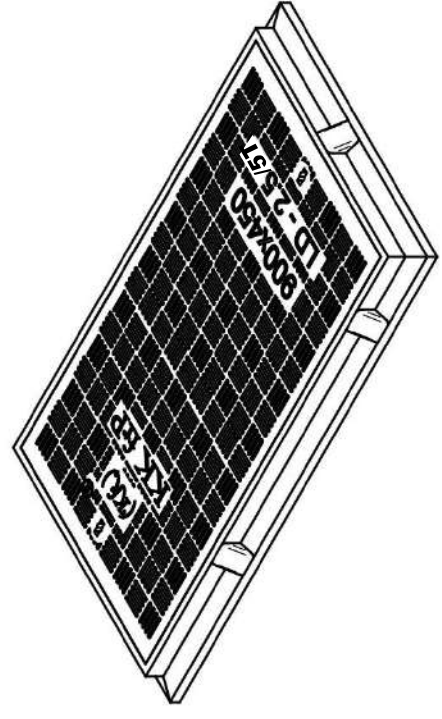
SECTION A-A



DETAIL B



DETAIL C
KEY HOLE
FOR LIFTING



- ① CLEAR OPENING = 900 x 450 MM
- ② OUTER FRAME SIZE = 1050 x 660 x 70 MM
- ③ OUTER COVER SIZE = 960 x 510 x 30 MM
- ④ APPROX WEIGHT = 46 KG

| | | | | | | | | |
|--|--------------|---------|------|-----------|--------|----------|-----------------|------|
| | Drawn | RJ | Chkd | AB | SCALE: | 1:5 | Projection: | |
| | DESCRIPTION: | MCLD-13 | | SHEET No. | 2 OF 2 | DRG. NO. | MCLD-13-900x450 | 2.5T |

CONFIDENTIAL INFORMATION
(UNAUTHORISED DISCLOSURE PROHIBITED)



NOTE:-
1. ALL DIMENSIONS ARE IN MM.
2. DIMENSIONAL TOLERANCE +/- 1%