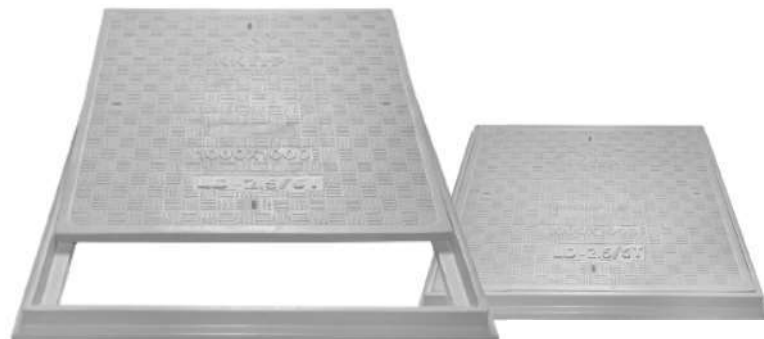


# Technical Specification/ Product Datasheet

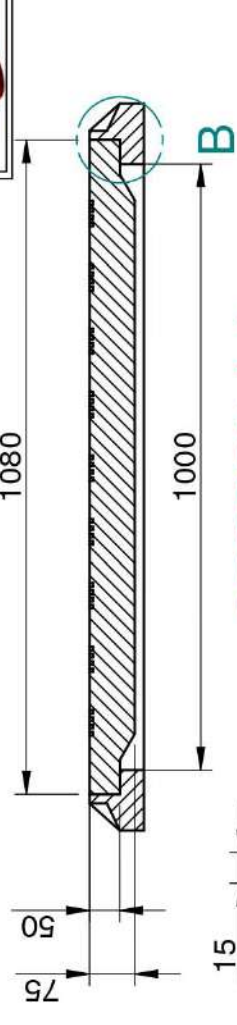
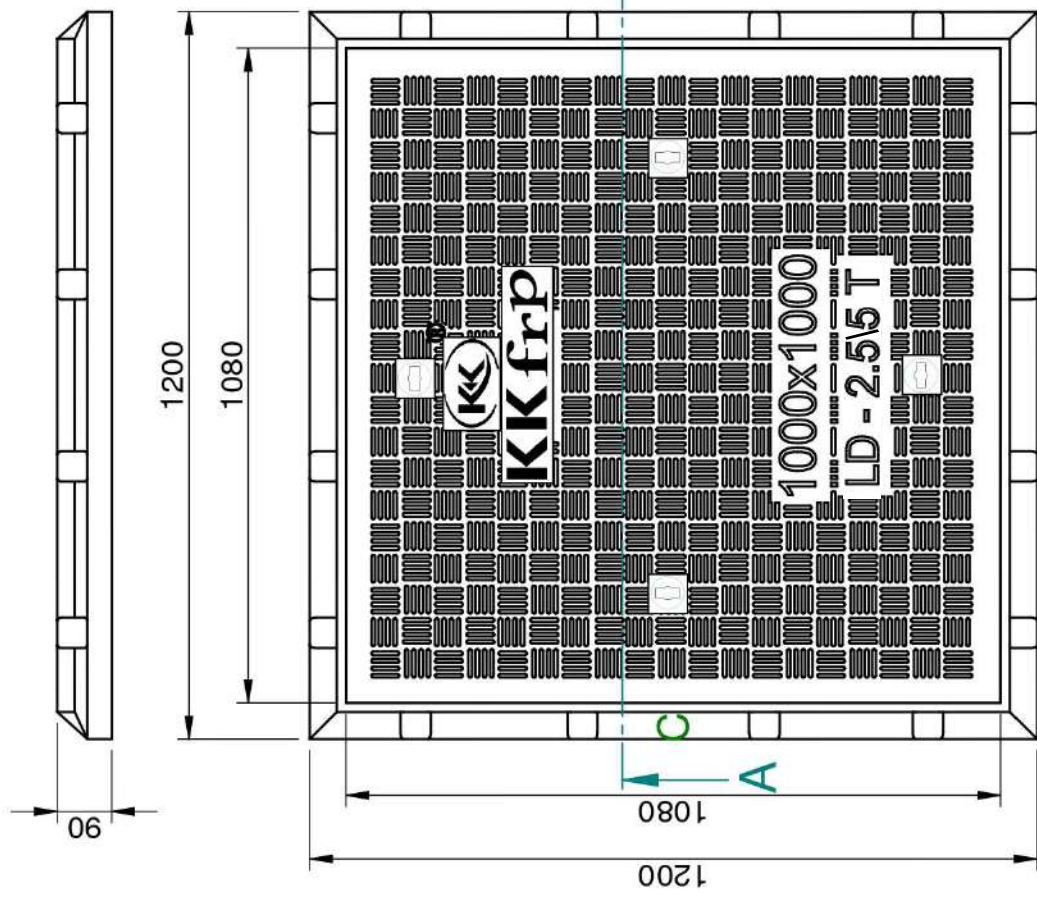


## KK-FRP AND KONCRETE PRODUCTS PVT LTD

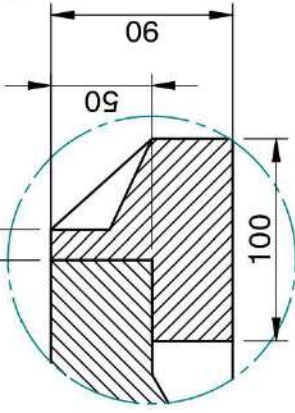
1114 Hubtown Solaris  
Prof N.S Phadke Road, Andheri (E)  
Mumbai-400 069  
INDIA  
Ph: +91 22 66913250 ,  
Mob: +91 9822036550 / 9850089903 ,  
email: [info@kkfrp.com](mailto:info@kkfrp.com) / [kkmgnsk@gmail.com](mailto:kkmgnsk@gmail.com)  
Web: [www.kkfrp.com](http://www.kkfrp.com)



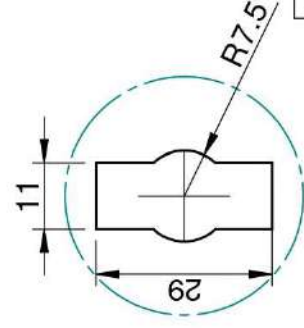
Specific Product Code/s:	MCLD17
Product Group:	KK-FRP FIBREGLASS COMPOSITE MANHOLE COVER & FRAME
Sub-Category:	Light Duty LD 2.5/5 T Cap. As per BSEN124:2015
Material Composition :	Unsaturated Polyester Resin UV Resistant ISO Grade, Emulsion Fibreglass Matt E Class, Accelerators, UV Resistant Pigment, Polymer Concrete in Quartz as Core,
Basic Dimensions (mm):	Clear Opening 1000 x 1000 mm Cover Size: 1080 x 1080 mm Cover Height: 50 mm Frame Size: 1200 x 1200 mm Frame Height: 90 mm
Weight (kgs):	Approx. 170 kg
Load Rating Classification:	LD-2.5/5T
Features:	<ul style="list-style-type: none"><li>➤ FRP Manhole Cover &amp; Frame LD-2.5/5T as per BSEN124.</li><li>➤ Light duty design to cope with the demands of Light duty traffic in foot paths ,cycle tracks ,car parking of residential areas etc.</li><li>➤ Key Holes 4nos with <b>(SS Key optional)</b> &amp; Lifting device provided .</li><li>➤ Choice of Colour Available.</li><li>➤ Anti skid surface.</li><li>➤ Waterproof, Weatherproof, Burglar proof, Non corrosive, High Strength to Wt ratio, Easy of handing as Light wt , Heat Resistant, Shockproof .</li><li>➤ Provision for Logo of Buyer.</li><li>➤ Additional Provision of Gasket (O-Ring) 6 mm Dia &amp; SS Nut Bolts with Washer to make Water Tight <b>(Optional)</b> .</li></ul>



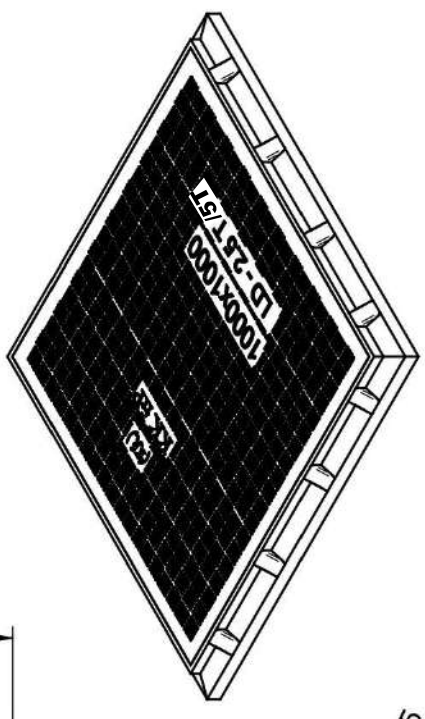
**SECTION A-A**



**DETAIL B**



**DETAIL C  
KEY HOLE  
FOR LIFTING**



- ① CLEAR OPENING = 1000 x 1000 MM
- ② OUTER FRAME SIZE = 1200 x 1200 x 90 MM
- ③ OUTER COVER SIZE = 1080 x 1080 x 50 MM
- ④ APPROX WEIGHT = 170 KG

	Drawn	RJ	Chkd	AB	Scale:	1:5	Projection:		
	DESCRIPTION:		MCLD-17		Sheet No:		2 of 2		
								DRG. NO.	MCLD-17-1000x1000
									2.5T

CONFIDENTIAL INFORMATION  
(UNAUTHORISED DISCLOSURE PROHIBITED)



**NOTE:-**  
 1. ALL DIMENSIONS ARE IN MM.  
 2. DIMENSIONAL TOLERANCE +/- 1%