

Technical Specification/ Product Datasheet



KK-FRP AND KONCRETE PRODUCTS PVT LTD

1114 Hubtown Solaris

Prof N.S Phadke Road, Andheri (E)

Mumbai-400 069

INDIA

Ph: +91 22 66913250 ,

Mob: +91 9822036550 / 9850089903 ,

email: info@kkfrp.com / kkmgnsk@gmail.com

Web: www.kkfrp.com

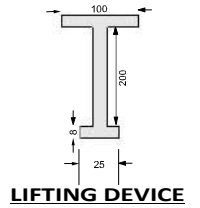
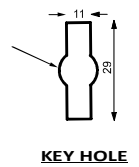
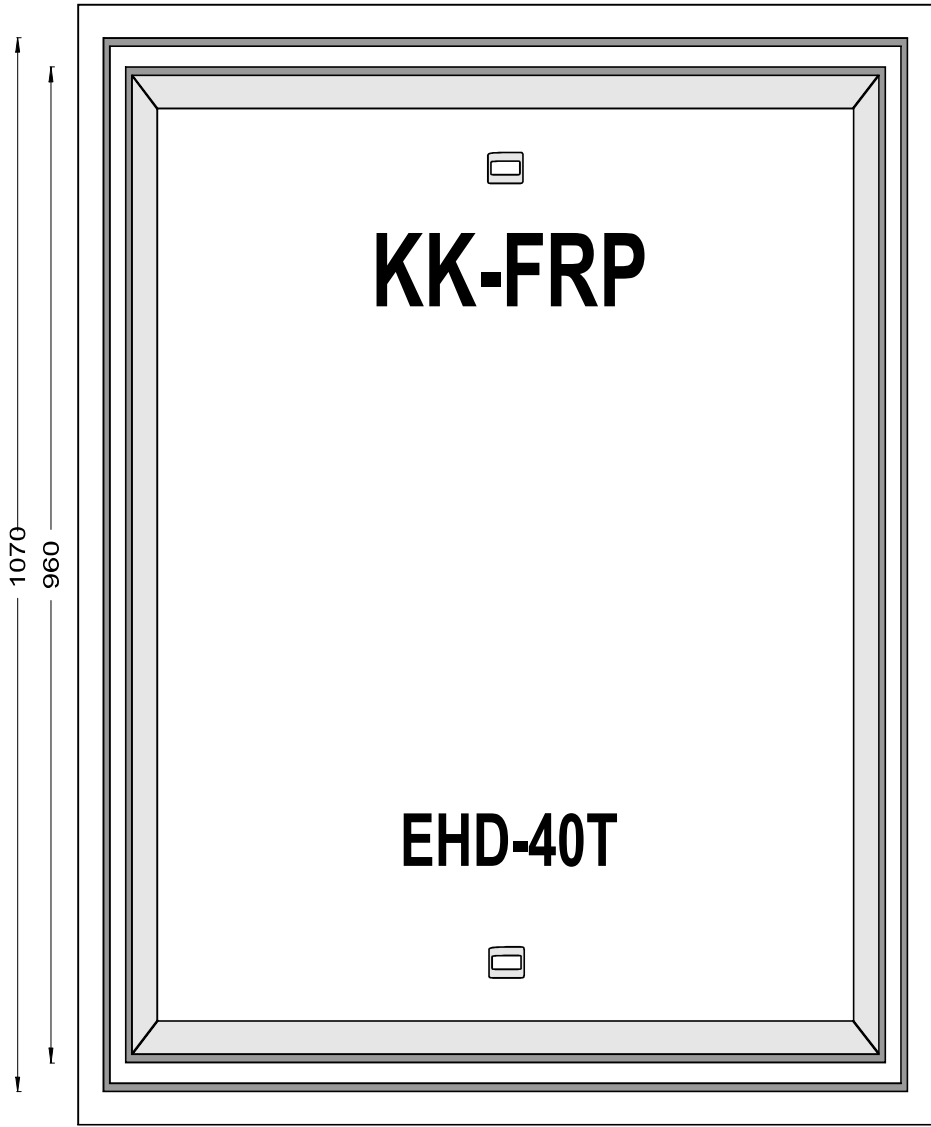


Specific Product Code/s:	RCF06
Product Group:	KK-FRP FIBREGLASS RECESS COMPOSITE MANHOLE COVER & FRAME RECESS DEPTH 60MM
Sub-Category:	Extra Heavy Duty EHD 40 T Cap. As per BSEN124:2015
Material Composition :	Unsaturated Polyester Resin UV Resistant ISO Grade, Emulsion Fibreglass Matt E Class, Accelerators, UV Resistant Pigment, Polymer Concrete in Quartz as Core,
Basic Dimensions (mm):	Clear Opening 900 x 450 mm Cover Size: 960 x 510 mm Cover Height: 90 mm Frame Size: 1070 x 620 mm Frame Height: 120 mm
Load Rating Classification:	EHD 40T
Features:	<ul style="list-style-type: none">➤ FRP Recess Manhole Cover & Frame EHD-40T as per BSEN124.➤ Heavy duty design to cope with the demands of heavily traffic in Main Roads , carriageways , Parkings etc➤ Key Holes 2nos & Lifting device provided .➤ Choice of Colour Available.➤ Waterproof, Weatherproof, Burglar proof, Non corrosive, High Strength to Wt ratio, Easy of handling as Light wt , Heat Resistant, Shockproof .➤ Provision for Logo of Buyer.

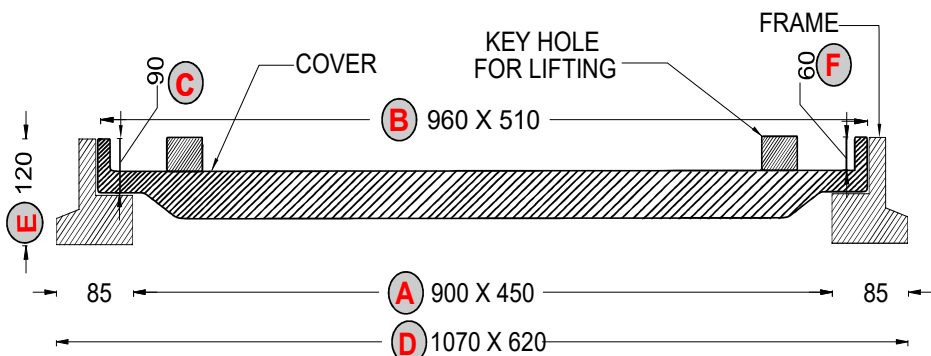


DETAILED DRAWING

KK-FRP FIBREGLASS RECESS COMPOSITE MANHOLE COVER & FRAME CLEAR OPENING 900 X 450 MM CAP 40T



PLAN



CLEAR OPENING (900 X 450)	(A)
OUTER COVER SIZE (960 X 510)	(B)
OUTER FRAME SIZE (1070 X 620)	(D)
COVER THICKNESS (90)	(C)
FRAME THICKNESS (120)	(E)

SECTION AA

ALL DIMENSIONS IN MM, DIMENSIONAL TOLERANCE +/- 1%.