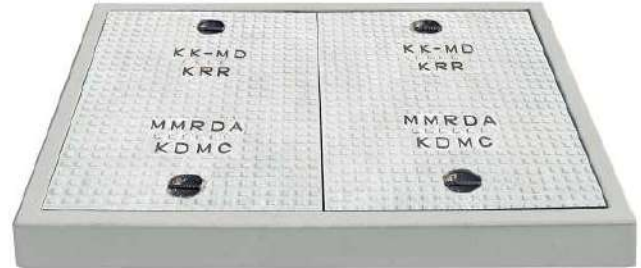


# Technical Specification/ Product Datasheet



## KK-FRP AND KONCRETE PRODUCTS PVT LTD

1114 Hubtown Solaris  
Prof N.S Phadke Road, Andheri (E)  
Mumbai-400 069  
INDIA  
Ph: +91 22 66913250 ,  
Mob: +91 9822036550 / 9850089903 ,  
email: [info@kkfrp.com](mailto:info@kkfrp.com) / [kkmgnsk@gmail.com](mailto:kkmgnsk@gmail.com)  
Web: [www.kkfrp.com](http://www.kkfrp.com)



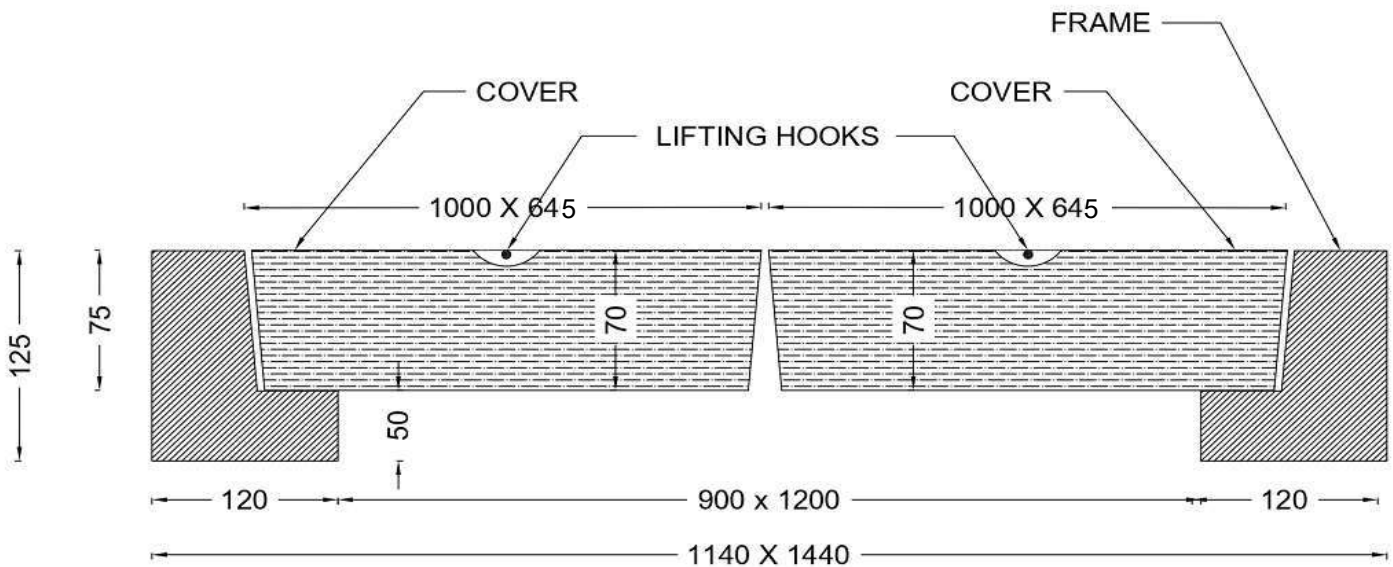
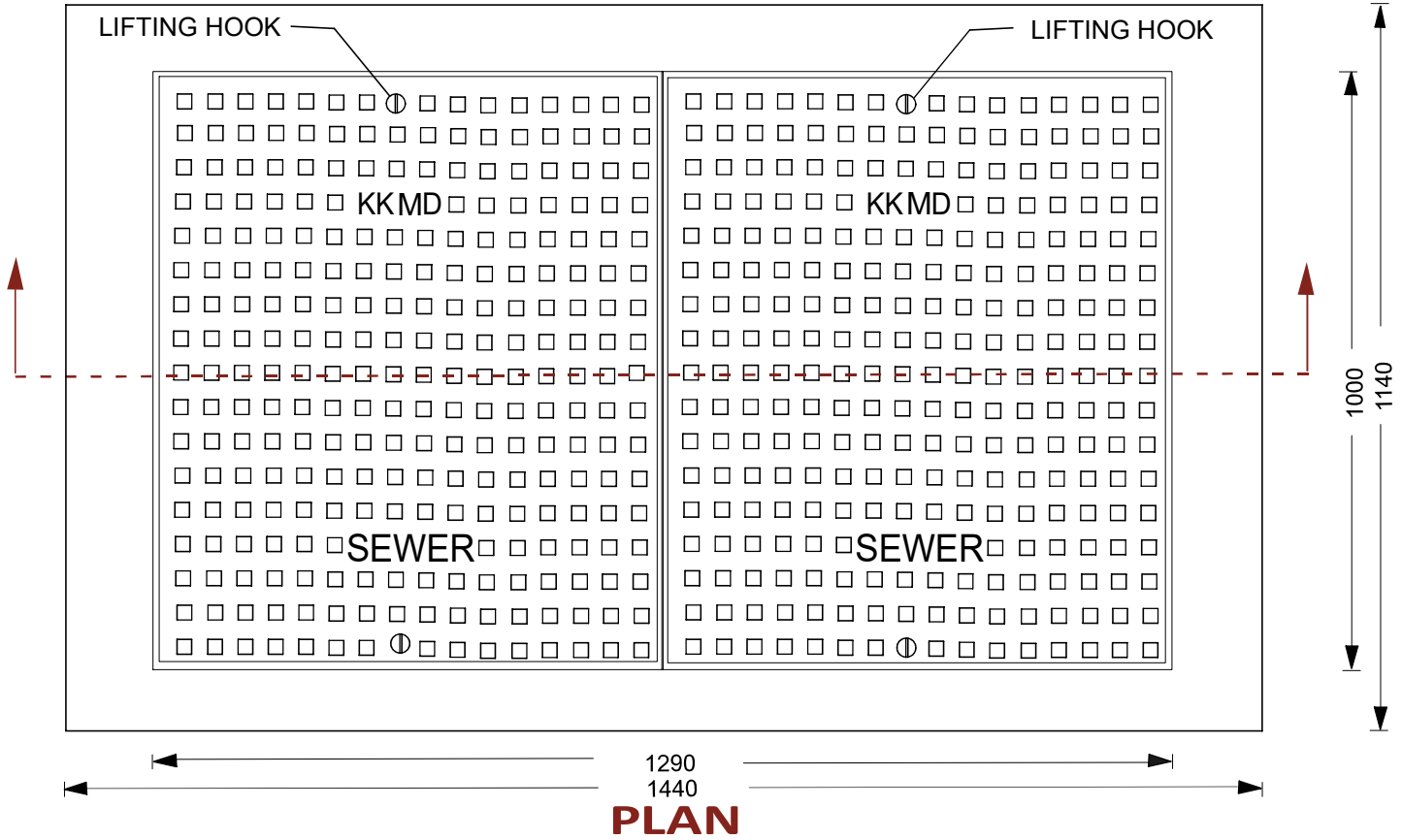
|                             |  |
|-----------------------------|--|
| Specific Product Code/s:    | MHCF22   |
| Product Group:              | KK SFRC CONCRETE MANHOLE COVER & FRAME   |
| Sub-Category:               | Medium Duty MD 10 T Cap. As per IS:12592:2002  |
| Material Composition :      | Ordinary Portland Cement 53 Grade.<br>Reinforcement 8 mm TMT Bars Fe 500 Grade,<br>MS Sheet at edges 1.30 mm thick   |
| Concrete Grade :            | M40  |
| Water Cement Ratio:         | 0.35   |
| Basic Dimensions (mm):      | Clear Opening 900 x 1200 mm<br>Cover Size: 1000 x 645 mm (2 Nos)<br>Cover Height: 70 mm<br>Frame Size: 1140 x 1440 mm<br>Frame Height: 125 mm  |
| Weight (kgs) :              | Approx. 350 kg   |
| Load Rating Classification: | MD 10T   |
| Features:                   | <ul style="list-style-type: none"> <li>➤ SFRC Concrete Manhole Cover &amp; Frame MD-10T as per IS:12592:2002.</li> <li>➤ Medium duty design to cope with the demands of Medium duty traffic in car parking of residential, commercial areas, Roads carriageways, etc</li> <li>➤ 4 Nos Lifting Hooks 10 mm Dia TMT Bars provided .</li> <li>➤ Anti skid surface.</li> <li>➤ Waterproof, Weatherproof, Burglar proof, Non corrosive, High Strength , Heat Resistant, Shockproof .</li> </ul> |



# DETAILED DRAWING

## KK SFRC CONCRETE MANHOLE COVER AND FRAME

### CLEAR OPENING 900 X 1200 MM CAP 10T



**KK-FRP AND CONCRETE PRODUCTS PVT LTD**  
 TECHNICAL SPECIFICATION:  
 MEDIUM DUTY RECTANGULAR  
 SFRC CONCRETE MANHOLE COVER AND FRAME MD 10T  
 CLEAR OPENING: 900 X 1200 MM  
 COVER SIZE: 1000 X 645 X 70 MM (2 Nos)  
 FRAME SIZE : 1140 X 1440 X 125 MM  
 WEIGHT PER SET 350 KGS.  
 LOAD CAPACITY AS PER IS:12592-2002 10T  
 (ALL DIMENSIONS ARE IN MM)  
 DIMENSIONAL TOLERANCE +5MM