



Technical Specification/ Product Datasheet

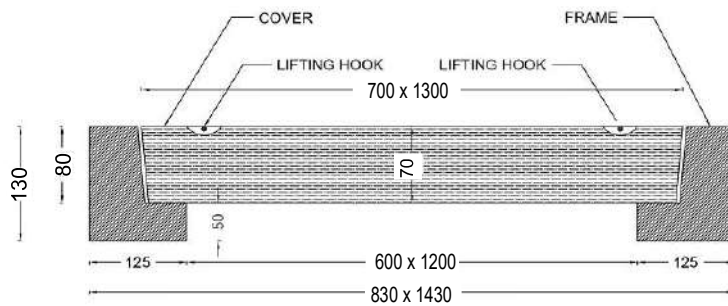
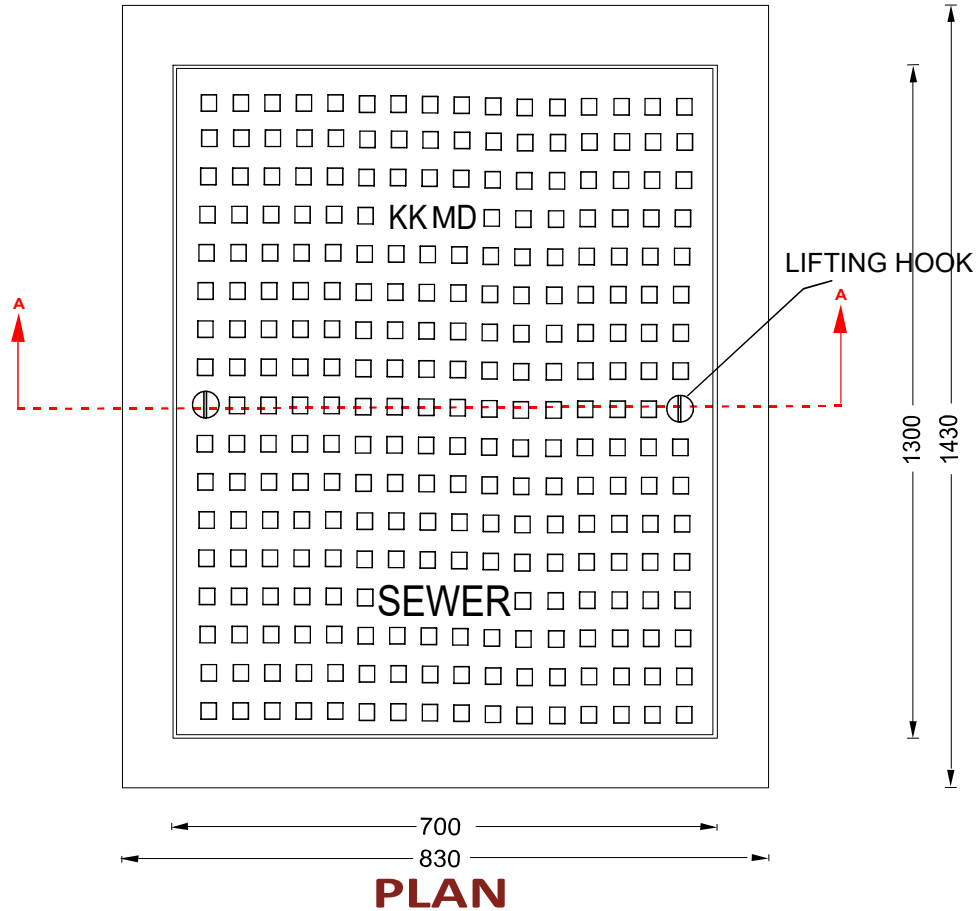
KK-FRP AND KONCRETE PRODUCTS PVT LTD

1114 Hubtown Solaris
 Prof N.S Phadke Road, Andheri (E)
 Mumbai-400 069
 INDIA
 Ph: +91 22 66913250 ,
 Mob: +91 9822036550 / 9850089903 ,
 email: info@kkfrp.com / kkmgnsk@gmail.com
 Web: www.kkfrp.com

Specific Product Code/s:	MHCF23
Product Group:	KK SFRC CONCRETE MANHOLE COVER & FRAME
Sub-Category:	Medium Duty MD 10 T Cap. As per IS:12592:2002
Material Composition :	Ordinary Portland Cement 53 Grade. Reinforcement 10 mm TMT Bars Fe 500 Grade, MS Sheet at edges 1.30 mm thick
Concrete Grade :	M40
Water Cement Ratio:	0.35
Basic Dimensions (mm):	Clear Opening 600 x 1200 mm Cover Size: 700 x 1300 mm Cover Height: 70 mm Frame Size: 830 x 1430 mm Frame Height: 125 mm
Weight (kgs) :	Approx. 280 kg
Load Rating Classification:	MD 10T
Features:	<ul style="list-style-type: none"> ➤ SFRC Concrete Manhole Cover & Frame MD-10T as per IS:12592:2002. ➤ Medium duty design to cope with the demands of Medium traffic in Main Roads , carriageways , Parkings etc ➤ 2 Nos Lifting Hooks 12 mm Dia TMT Bars provided . ➤ Anti skid surface. ➤ Waterproof, Weatherproof, Burglar proof, Non corrosive, High Strength , Heat Resistant, Shockproof .

DETAILED DRAWING

KK SFRC CONCRETE MANHOLE COVER AND FRAME CLEAR OPENING 600 X 1200 MM CAP 10T



KK-FRP AND CONCRETE PRODUCTS PVT LTD
 TECHNICAL SPECIFICATION:
 MEDIUM DUTY RECTANGULAR
 SFRC CONCRETE MANHOLE COVER AND FRAME MD 10T
 CLEAR OPENING: 600 X 1200 MM
 COVER SIZE: 700 X 1300 X 95 MM
 FRAME SIZE : 830 X 1430 X 130 MM
 WEIGHT PER SET 280 KGS.
 LOAD CAPACITY AS PER IS:12592-2002 10T
 (ALL DIMENSIONS ARE IN MM)
 DIMENSIONAL TOLERANCE +5MM