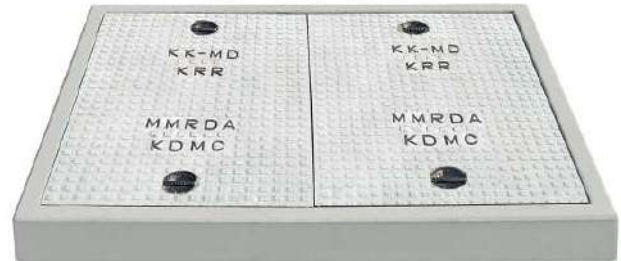


Technical Specification/ Product Datasheet



KK-FRP AND KONCRETE PRODUCTS PVT LTD

1114 Hubtown Solaris
Prof N.S Phadke Road, Andheri (E)
Mumbai-400 069
INDIA
Ph: +91 22 66913250 ,
Mob: +91 9822036550 / 9850089903 ,
email: info@kkfrp.com / kkmgnsk@gmail.com
Web: www.kkfrp.com

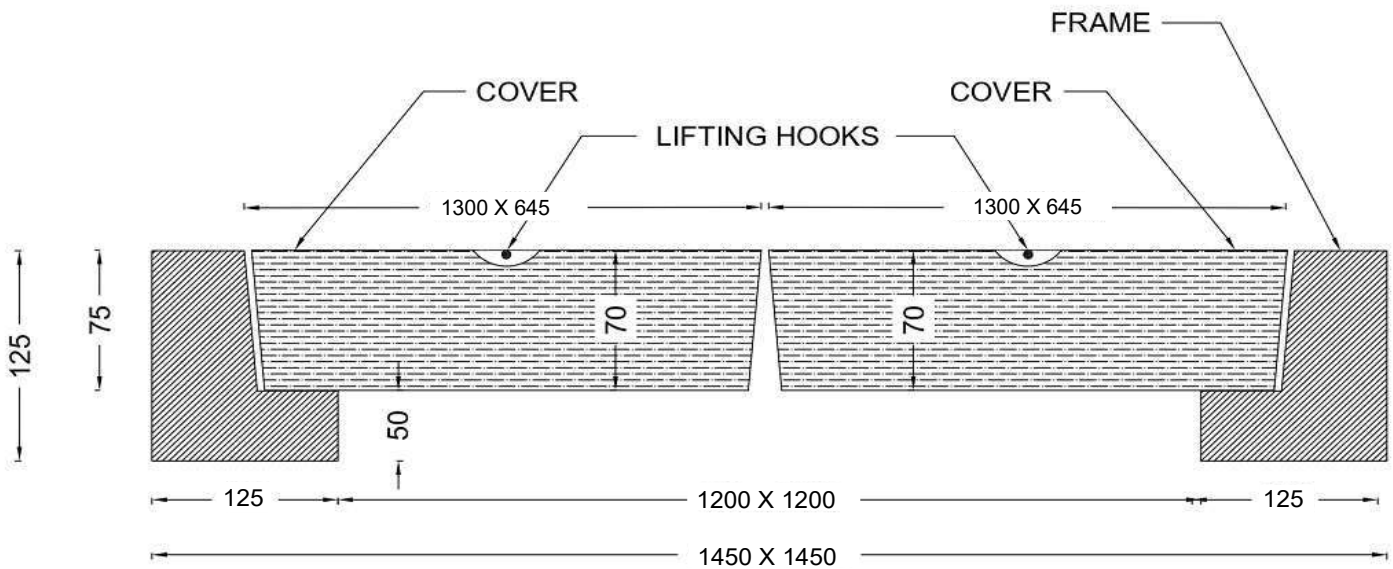
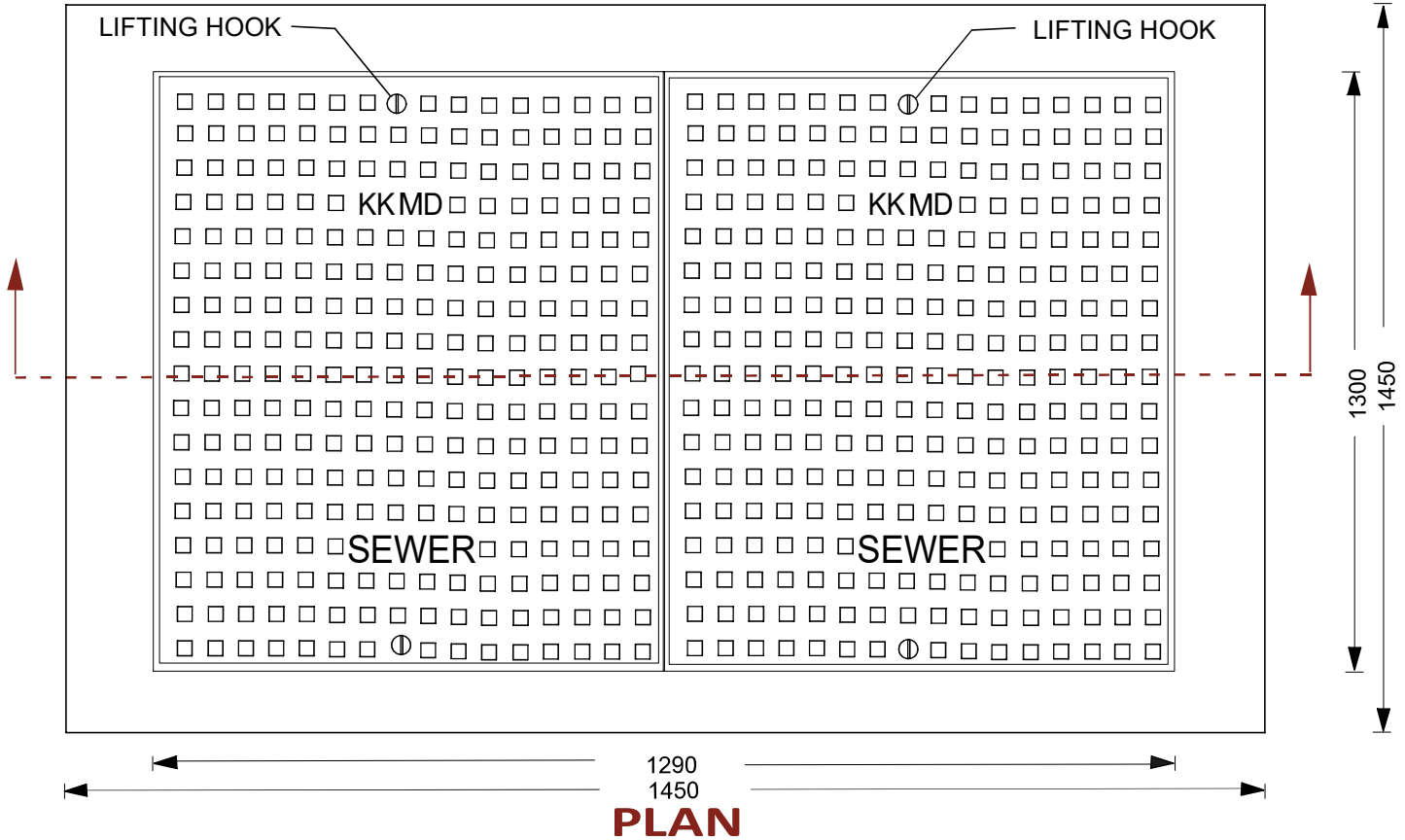


Specific Product Code/s:	MHCF24
Product Group:	KK SFRC CONCRETE MANHOLE COVER & FRAME
Sub-Category:	Medium Duty MD 10 T Cap. As per IS:12592:2002
Material Composition :	Ordinary Portland Cement 53 Grade. Reinforcement 8 mm TMT Bars Fe 500 Grade, MS Sheet at edges 1.30 mm thick
Concrete Grade :	M40
Water Cement Ratio:	0.35
Basic Dimensions (mm):	Clear Opening 1200 x 1200 mm Cover Size: 1300 x 645mm(2 Nos) Cover Height: 70 mm Frame Size: 1450 x 1450 mm Frame Height: 125 mm
Weight (kgs) :	Approx. 490 kg
Load Rating Classification:	MD 10T
Features:	<ul style="list-style-type: none"> ➤ SFRC Concrete Manhole Cover & Frame MD-10T as per IS:12592:2002. ➤ Medium duty design to cope with the demands of Medium duty traffic in car parking of residential, commercial areas, Roads carriageways, etc ➤ 4 Nos Lifting Hooks 10 mm Dia TMT Bars provided . ➤ Anti skid surface. ➤ Waterproof, Weatherproof, Burglar proof, Non corrosive, High Strength , Heat Resistant, Shockproof .



DETAILED DRAWING

KK SFRC CONCRETE MANHOLE COVER AND FRAME CLEAR OPENING 1200 X 1200 MM CAP 10T



KK-FRP AND CONCRETE PRODUCTS PVT LTD
 TECHNICAL SPECIFICATION:
 MEDIUM DUTY RECTANGULAR
 SFRC CONCRETE MANHOLE COVER AND FRAME MD 10T
 CLEAR OPENING: 1200 X 1200 MM
 COVER SIZE: 1300 X 645 (2 Nos) X 70 MM
 FRAME SIZE : 1450 X 1450 X 125 MM
 WEIGHT PER SET 490 KGS.
 LOAD CAPACITY AS PER IS:12592-2002 10T
 (ALL DIMENSIONS ARE IN MM)
 DIMENSIONAL TOLERANCE +5MM